



235 Union Blvd, West Islip, NY 11795
800.962.8088 actionbullet.com

BULLET RESISTANT DOORS AND FRAMES INSTALLATION INSTRUCTIONS

1. Do not remove metal shipping straps until door is in vertical position
2. Allow 3/16" between the frame and wall stud on the hinge side of the door.
3. Shim out the bottom of frame in the hinge side to provide approximately 1/8" between door and frame.
4. Install top fastener on hinge side of frame and tighten until door has proper clearance.
5. Install remaining fasteners in frame.
6. Install hardware.
7. Install security glass with approved glazing tape (Tremco 440) and setting blocks. Insure glass is installed with correct side towards threat.
8. If using TC, Glass Clad Polycarbonate (GCP) or TP products plastic side of window needs to be protected when painting the door.

If a split frame is used:

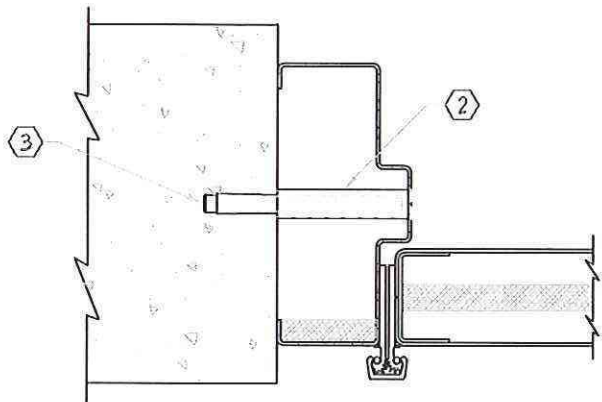
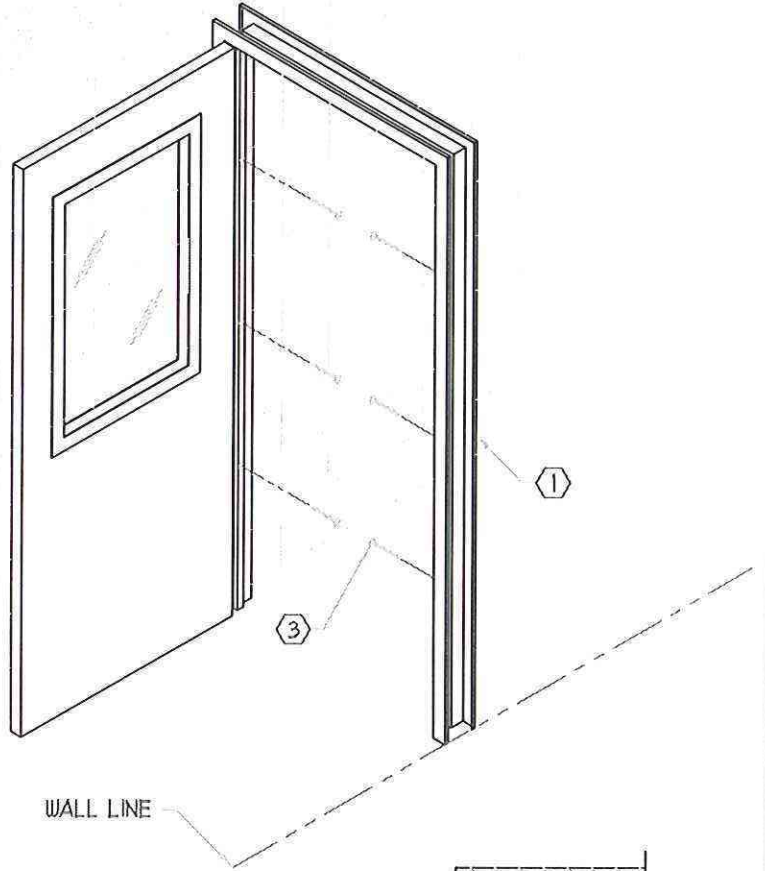
- Step 2. Install trim side of frame (door is not attached to this frame section).
- 2a. Shim as required to allow proper opening for door frame section.
Attach with flat head screws to hold in position.
 - 2b. Install door / door frame section with flat head screws. (not provided)

Masonry Concrete Wall

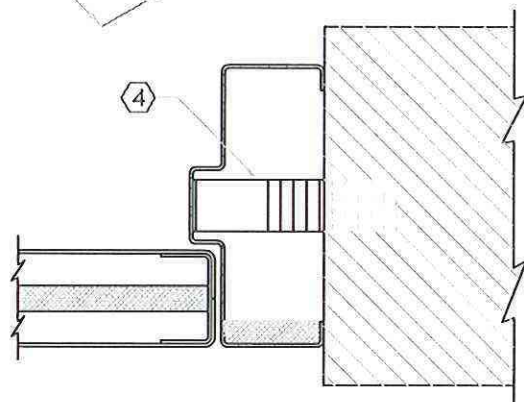
Same as above except in some cases the frame is set before the wall is built, and the wall is built around the frame (strap anchors are welded to the frame).

NOTES:

- ① 16 GA. PRIME PAINTED STEEL DOOR & FRAME
- ② TUBE SPACERS (BY OTHERS)
- ③ ANCHORS (BY OTHERS)
- ④ STRAP ANCHORS



BUTT FRAME - EXISTING OPENING
(MASONRY OR CONCRETE)



BUTT FRAME
(MASONRY BUILD UP)

www.acehardware.com