

Bullet Resistant

There is no such thing as **"BULLET PROOF."** The criminal will just use a heavier, larger caliber, and faster bullet.

There are 3 variables to consider in determining and understanding **BULLET RESISTANCE...**

1. **WEIGHT.** The heavier the bullet the more impact it will generate.
2. **CALIBER.** The larger (higher) the caliber the easier it is to stop the bullet at low velocity.
3. **VELOCITY.** The faster the bullet travels the more difficult it becomes to stop.
 - .38 caliber and .45 automatic are large caliber bullets traveling at low velocity which makes them relatively easy to stop.
 - .357 and .44 Magnums are large caliber, heavy bullets, traveling at high velocities. This relates to high knock down impact with high penetration.

Powder charge and barrel length affect "velocity."

- To increase powder charge, is accomplished by increasing the brass casing to hold more powder.
- To contain the explosion and direct the energy longer generates more speed. The longer the barrel the faster the bullet with everything else being equal.

There are even more things to consider. There are several types of bullets designed for different purposes.

"Standard" types most common are:

- *Lead* = high impact, low penetration, accuracy, best use is target shooting and close combat.
- *Semi Jacket* is a partially encased lead copper jacket = accuracy, longer range, medium impact, high penetration = penetration before expansion on impact.
- *Hollow Point Semi Jacket* = long range, high speed, light, maximum impact, light penetration, maximum damage on impact.
- *Full Copper Jacket* = long range accuracy, automatic weapon efficiency, minimal impact, high penetration.

Less common types of bullets sometimes specified with government or international applications:

- *Explosive Heads* = detonate on impact, designed for maximum tissue damage.
- *Steel Jacket* = completely encased lead jacket for maximum penetration.
- *Armor Piercing* = solid steel bullet for penetration of metal surfaces.
- *Teflon Coated* = steel or copper jacket bullet lubricated with teflon for penetrating hard surfaces.

Bullet Proof cannot be achieved because there are so many variables to take into account when considering bullet resistance.



BULLET RESISTANT

263 Union Boulevard, West Islip, New York 11795 ■ 631 422-0888 800 962-8088 Fax: 631 422-4498 ■ A Division of Action Storefronts, Inc.

<http://www.actionbullet.com>

SECURITY STOREFRONTS

Ratings Of Bullet-Resisting Materials

Rating	Ammunition	Grain	(g)	Minimum Velocity fps (m/s)	Number of shots	Paragraph
Level 1	9mm Full metal copper jacket lead core	124	(8.0)	1,175 (358)	3	4.3
Level 2	.357 Magnum jacketed lead soft point	158	(10.2)	1,250 (381)	3	4.4
Level 3	.44 Magnum lead semi-wadcutter gas checked	240	(15.6)	1,350 (411)	3	4.5
Level 4	.30 caliber Rifle lead core soft point	180	(11.7)	2,540 (774)	1	4.6
Level 5	7.62 mm Rifle lead core full metal jacket, military ball	150	(9.7)	2,750 (838)	1	4.7
Level 6	9 mm full metal copper jacket with lead core	124	(8.0)	1,400 ((427)	5	4.8
Level 7	5.56 mm Rifle full metal copper jacket with lead core	55	(3.56)	3,080 (939)	5	4.9
Level 8	7.62 mm Rifle lead core full metal copper jacket, military ball	150	(9.7)	2,750 (838)	5	4.10
Supplementary Shotgun	12-gauge Rifled lead slug and 12-gauge 00 lead buckshot (12 pellets)	437	(28.3)	1,585 (483)	3	4.11
		650	(42)	1,200 (366)		

NOTE – Maximum velocity is 110 percent of the minimum velocity.





BULLET RESISTANT

263 Union Boulevard, West Islip, New York 11795 ■ 631 422-0888 800 962-8088 Fax: 631 422-4498 ■ A Division of Action Storefronts, Inc.

<http://www.actionbullet.com>

SECURITY STOREFRONTS

Bullet Resistant Sash Level III



Sash Window with Transaction Drawer. With built-in speaker system.

Action Bullet Resistant Level III Sash System is designed and specifically engineered to provide maximum protection against ballistic attack.

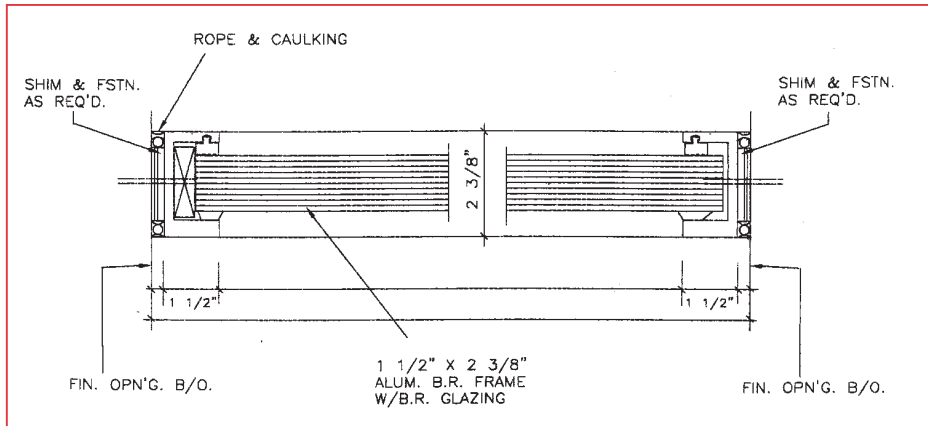
➤ You have a variety of glazing types to choose from. Action uses laminated polycarbonates as its primary glazing as well as glass clad polycarbonates.

➤ The Sash system is available in mill finish, clear anodized, dark bronze anodized, black anodized, and painted finishes.

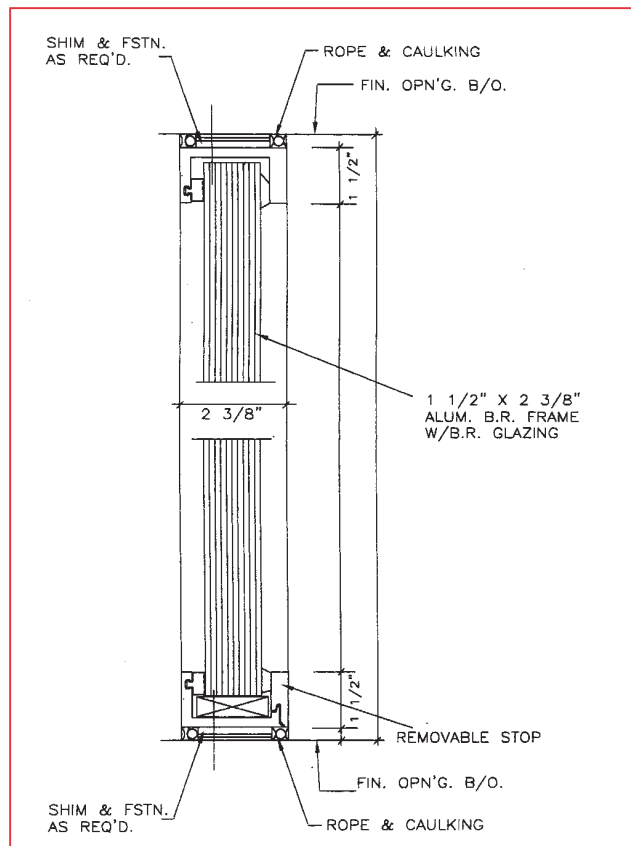
➤ The Sash has a narrow frame to provide a less obvious sight line. Primarily used for interior security glazing. It is also used for exterior applications especially retrofit into existing structural steel framing.



Bullet Resistant Sash Level III

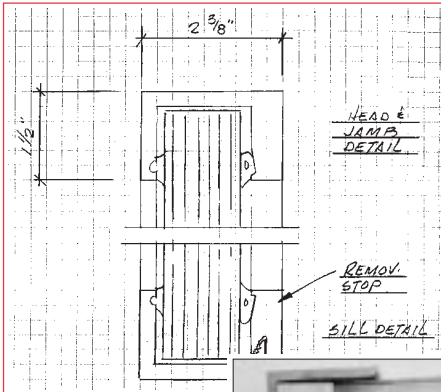


BULLET RESISTANT
SASH LEVEL III
JAMB DETAIL

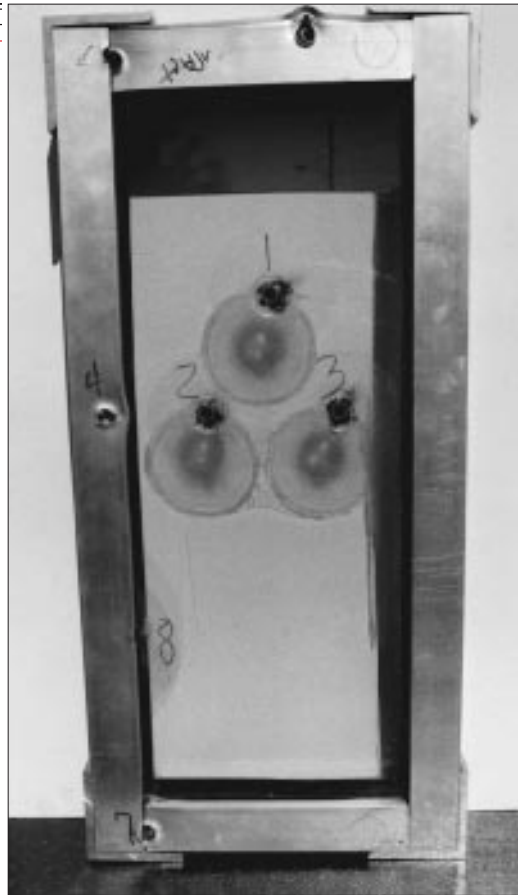


BULLET RESISTANT
SASH LEVEL III
HEAD AND SILL
DETAIL

Bullet Resistant Sash Level III



BR 100 Sash



Bullet Resistant Sash Test Coupon

Level III BR Sash Specifications:

- Heavy duty aluminum construction.
- The system is bullet resistant in itself without the need for bullet resistant filler materials.
- Custom designs to your individual requirements.
- 2 3/8" x 1 1/2" framing system.
- Removable glass stop.
- 1 5/8" glazing pocket to receive appropriate security materials.
- Glazing gasket to be vinyl.
- Tight hair line joints horizontal to vertical legs.
- Frames to be fabricated at factory and shipped for field installation.
- Ballistic tested in accordance with UL 752 8th edition dated January 28, 1991 by HP White Test Laboratories.

Level III BR Sash Glazing Specifications:

- Glazing shall be specified by the end user and consistent with level III threat level.
- Bullet resistant glazing materials shall be of a type listed by Underwriters' Laboratories in Standard 752 for bullet resistant and or as approved by H.P. White Laboratory for level III bullet resistance.



BULLET RESISTANT

263 Union Boulevard, West Islip, New York 11795 ■ 631 422-0888 800 962-8088 Fax: 631 422-4498 ■ A Division of Action Storefronts, Inc.

<http://www.actionbullet.com>

SECURITY STOREFRONTS

Non Bullet Resistant Curtain Wall



Non Bullet Resistant Curtain Wall



Non Bullet Resistant Curtain Wall

Action Non Bullet Resistant Curtain Wall Systems are designed and specifically engineered to mull to our BR Curtain wall systems. When installed along side our bullet resistant curtain wall they are identical in appearance.

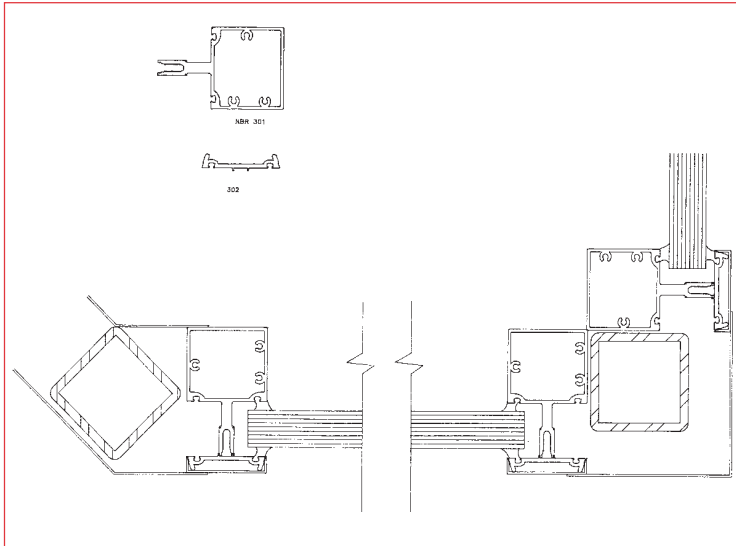
► In most storefronts where security is required there is only a small portion that requires threat protection for the employee. The balance of the storefront usually calls for the typical non bullet resistant systems.

► The curtain wall system is available in mill finish, clear anodized, dark bronze anodized, black anodized, and painted finishes.

► The system is a screw spline system that mulls together which translates into savings in fabrication time and field installation. This keeps our system cost effective and enables us to give the customer more product.



Non Bullet Resistant Curtain Wall



Non Bullet Resistant Curtain Wall



Non Bullet Resistant Curtain Wall

Non BR 300 Curtain Wall Specifications:

- Heavy duty aluminum construction.
- Custom designed screw spline system.
- Custom designs to your individual requirements.
- 2 1/2" x 4 1/2" framing system.
- 1 3/4" glazing pocket to receive appropriate glazing.
- Glazing gasket to be vinyl.
- Tight hair line joints horizontal to vertical legs.
- Frames to be fabricated at factory and shipped for field installation.



BULLET RESISTANT

263 Union Boulevard, West Islip, New York 11795 ■ 631 422-0888 800 962-8088 Fax: 631 422-4498 ■ A Division of Action Storefronts, Inc.

<http://www.actionbullet.com>

SECURITY STOREFRONTS

Bullet Resistant Curtain Wall BR 150 Level I



BR Level I Storefront

Action Bullet Resistant Curtain Wall Systems Level I are specifically engineered to protect against Medium Power Small Arms (MPSA) .38 Caliber Super Automatic ballistic attack.

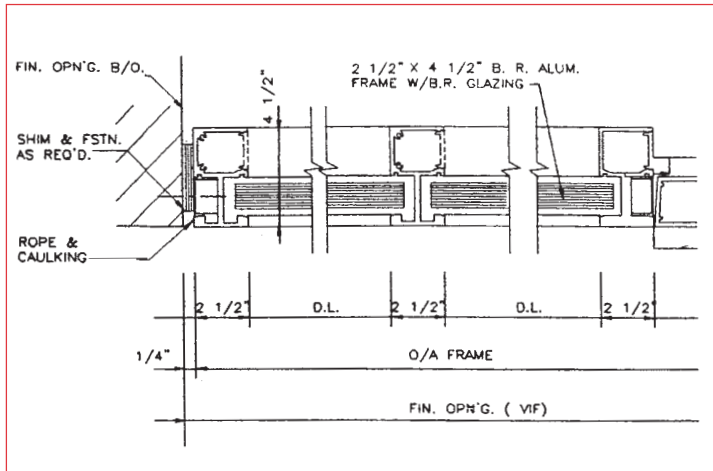
► You have a variety of glazing types to choose from. Action uses laminated glass, laminated polycarbonate, BR acrylic, and more.

► The curtain wall system is available in mill finish, clear anodized, dark bronze anodized, black anodized, and painted finishes.

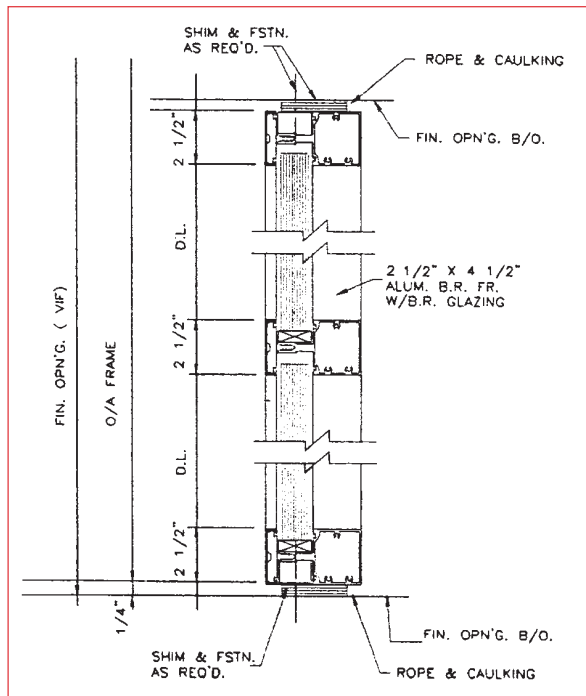
► The system is a screw spline system that mulls together which translates into savings in fabrication labor and field installation time. This keeps our system cost effective and enables us to give the customer more protection.



Bullet Resistant Curtain Wall BR 150 Level I



Jamb Detail Vertical Mullion



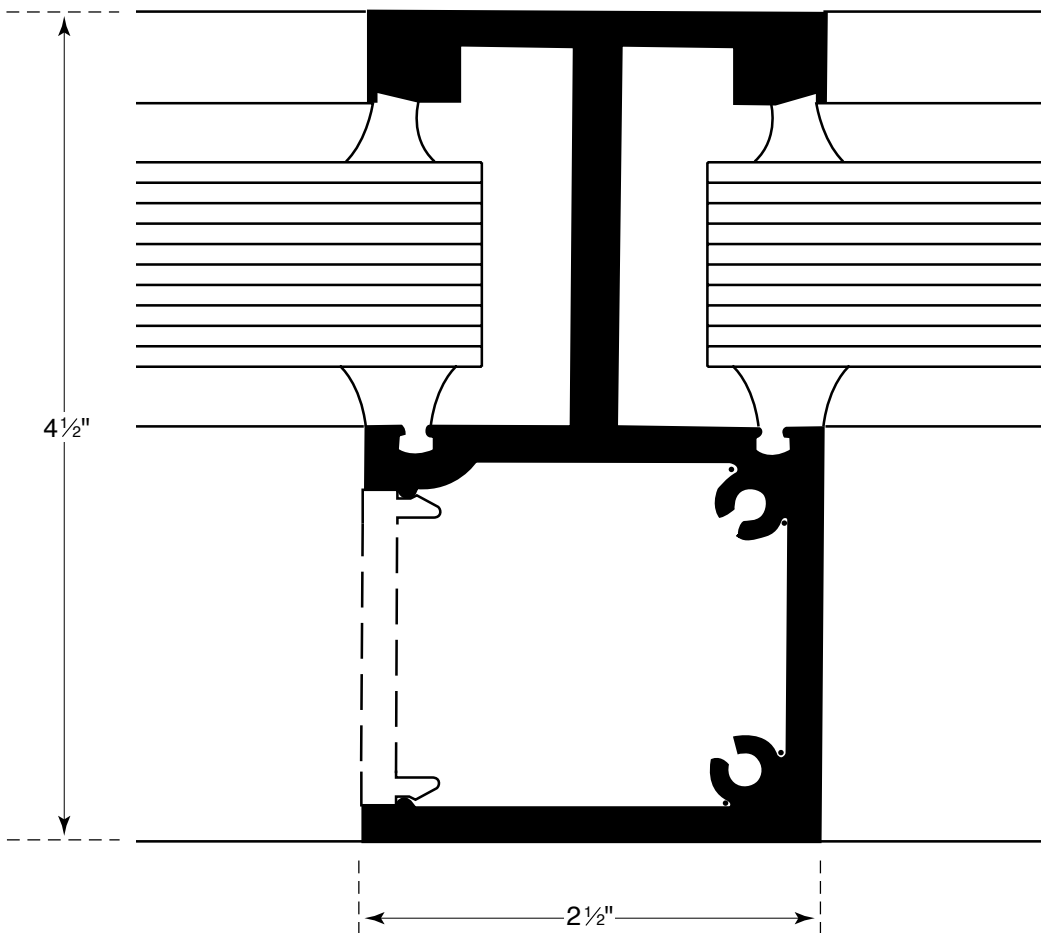
Head and Sill Detail Horizontal Mullion

Specifications:

- Aluminum construction.
- The system is bullet resistant in itself without the need for bullet resistant filler material.
- Custom designed screw spline system.
- Custom designed to your individual requirements.
- 2 1/2" x 4 1/2" framing system.
- 1 3/4" glazing pocket to receive appropriate security material.
- Glazing gaskets to be vinyl.
- Tight hair line joints to vertical legs.
- Ballistic tested in accordance with UL 752 9th edition, paragraph 14, for ballistic resistance against a level 1 threat.

BR 150 Curtain Wall

Vertical Mullion / double glaze



Scale: Full Size

SPECIFICATIONS

BR 150 Level I Curtain Wall

► General Description

Work Included: Furnish all necessary materials, labor and equipment for the complete installation of aluminum framing as shown on the drawings and specified herein (It is recommended that specifier include related items, ie: glass sealants, entrances etc. when possible). All framing members shall conform to the exact profiles, and configurations.

Work not included: Structural support of the framing system, aluminum sub sills, flashing, receptors, closures (Other exclusions by specifier).

Related Work: (see specifier list)

► Quality Assurance

Drawings and specifications are based on BR 150 Curtain wall system as manufactured by Action Bullet Resistant, a division of Action Storefronts, Inc.

Other manufacturers requesting approval to bid their product as an equal must submit the following information fifteen days prior to close of bidding:

1. Test reports by a certified test lab showing compliance with UL 752 standards to meet threat level I.
2. A sample window (specifier to determine sample size) as per architects requirements.

(It is recommended that specifier specifies glass and glazing in section 08800. Action recommends that the window manufacturer provide the glazing if specified in this section).

► Curtain Wall Construction

1. Aluminum Extrusions: shall be extruded from prime billet. Alloy and temper to be equivalent to 6005-T5 (Tensile strength - ksi with a minimum ultimate of 38.0 and minimum yield of 35.0).
2. Heavy duty aluminum bullet resistant in itself without the need for bullet resistant filler material.
3. Frame to be 2 1/2" x 4 1/2" with 3/16" minimum wall thickness on vertical mullion and 3/32" minimum wall thickness on horizontal mullion.
4. Glazing pocket to be 1" deep for proper bite.
5. Glazing gasket to be neoprene.
6. Frames to have screw spline system with tight hairline joints where horizontal mullions meet vertical mullions.
(Finishes as specified on drawings)

► Window Glazing

1. Bullet resistant glazing shall be specified by the end user consistent with threat level I.
2. Glazing material for bullet resistant use shall be of a type listed by Underwriters Laboratories standard 752 for bullet resistance and or as approved by H.P. White Test Laboratories for specified bullet resistance.

► Limitations

Action Bullet Resistant, a division of Action Storefronts Inc., BR 150 Curtain Wall window is designed to meet the UL standard 752 threat level I. It is recommended that each end user determine their ballistic threat and identify the correct product to resist that threat.

A Division of Action Storefronts, Inc.

263 Union Blvd. West Islip, NY 11795 □ 631 422-0888 800 962-8088 Fax: 631 422-4498 □ www.actionbullet.com

Bullet Resistant Curtain Wall

BR150A Level I

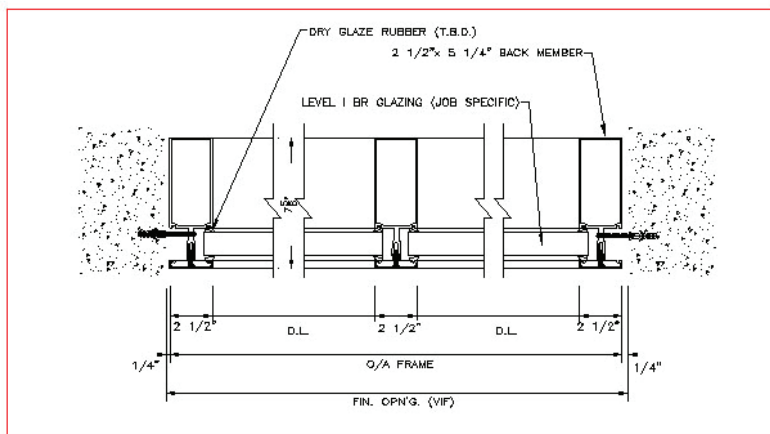


Action Bullet Resistant Curtain Wall Systems Level I are specifically engineered to protect against Medium Power Small Arms (MPSA) .38 Caliber Super Automatic ballistic attack. It is also designed to meet GSA medium blast levels.

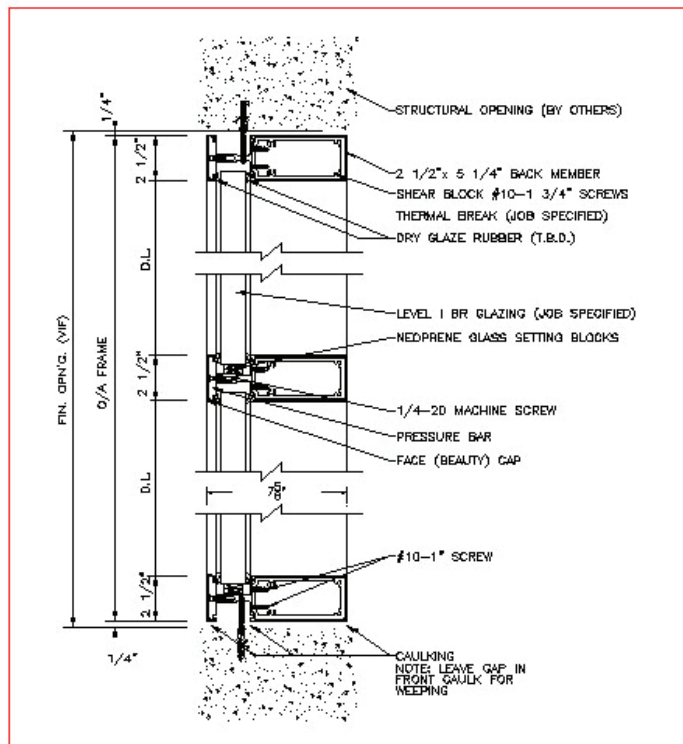
- You have a variety of glazing types to choose from. Action uses laminated glass, laminated polycarbonate, BR acrylic, and more.
- The curtain wall system is available in mill finish, clear anodized, dark bronze anodized and painted finishes.
- The BR150A is a shear block system that mulls together.

Bullet Resistant Curtain Wall

BR 150A Level I



Jamb Detail Vertical Mullion



Head and Sill Detail Horizontal Mullion

Specifications:

- Aluminum Construction
- The system is bullet resistant in itself without the need for bullet resistant filler material.
- Custom designed to your individual requirements.
- 2 1/2" x 7 1/2" framing system.
- 1 5/8" glazing pocket to receive appropriate security material.
- Glazing gaskets to be vinyl.
- Tight hair line joints to vertical legs.
- Ballistic tested in accordance with UL 752, 9th edition paragraph 14, for ballistic resistance against a level I threat.
- Air Infiltration – ASTM E 283 (6.24 PSF, 50mph).
- Water Resistance – ASTM E 331 (WTP=14 PSF).
- Structural Load – ASTM E 330 (105 PSF positive & negative).

Specifications

BR 150A Level I Curtain Wall

➤ General Description

Work Included: Furnish all necessary materials, labor and equipment for the complete installation of aluminum framing as shown on the drawings and specified herein (It is recommended that specifier include related items, i.e.: glass sealants, entrances etc. when possible). All framing members shall conform to the exact profiles, and configurations.

Work not include: Structural support of the framing system, aluminum sub sills, flashing, receptors, closures, structural fasteners (Other exclusions by specifier).

Related Work: (see specifier list)

➤ Quality Assurance

Drawings and specifications are based on BR 150A Curtain wall system as manufactured by Action Bullet Resistant, Inc.

Other manufactures requesting approval to bid their product as an equal must submit the following information fifteen days prior to close of bidding:

1. Test reports by certified test lab showing compliance with UL 752 standards to meet threat level I.
2. A sample window (specifier to determine sample size) as per architects requirements.

(It is recommended that specifier specifies glass and glazing in section 08800. Action recommends that the window manufacturer provide the glazing if specified in this section).

➤ Curtain Wall Construction

1. Aluminum Extrusions: shall be extruded from prime billet. Alloy and temper to be equivalent to 6005-T5 (Tensile strength – ksi with a minimum ultimate of 38.0 and minimum yield of 35.0)
2. Heavy duty aluminum bullet resistant in itself without the need for bullet resistant filler material.
3. Frame to be 2 ½" x 7 ½" with 3/16" minimum wall thickness on vertical mullion and 3/32" minimum wall thickness on horizontal mullion.
4. Glazing pocket to be 1" deep for proper bite.
5. Glazing gasket to be neoprene.
6. Shear block system, multiple bays would ship knock down system.

(Finishes as specified on drawing)

➤ Window Glazing

1. Bullet resistant glazing shall be specified by the end user consistent with the threat level I.
2. Glazing material for bullet resistant use shall be a type listed by Underwriters Laboratories standard 752 for bullet resistant and or as approved by H.P. White Test Laboratories for specified bullet resistance.

➤ Limitations

Action Bullet Resistant, BR 150A Curtain Wall window is designed to meet the UL standard 752 threat level I and GSA medium level blast loads. It is recommended that each end user determine their ballistic threat and identify the correct product to resist that threat.

Bullet Resistant Curtain Wall BR 250 Level III



Bullet Resistant Curtain Wall 250 System is used in conjunction with Non Bullet Resistant Curtain Wall System with identical profiles.



Bullet Resistant 250 System is the most commonly called for.

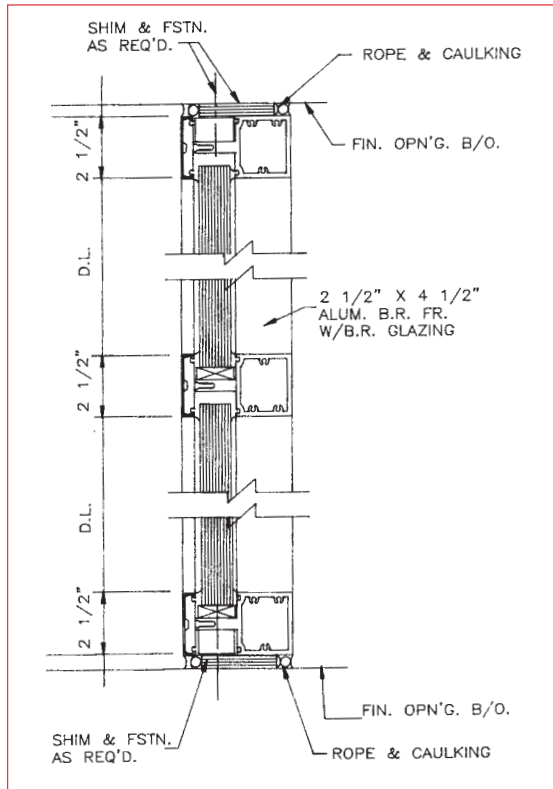
Action Bullet Resistant Level III Curtain Wall Systems are designed and specifically engineered to provide maximum protection against ballistic attack. It is also designed to meet GSA/ISC medium level blast loads.

► You have a variety of glazing types to choose from. Action uses laminated polycarbonates as its primary glazing as well as glass clad polycarbonates.

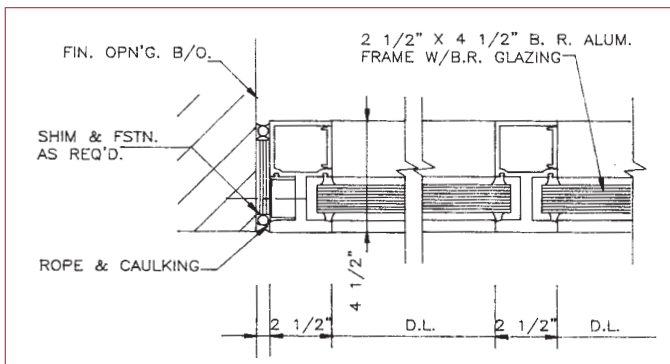
► The curtain wall system is available in mill finish, clear anodized, dark bronze anodized, black anodized, and painted finishes.

► The system is a screw spline system that mulls together which translates into savings in fabrication time and field installation. This keeps our system cost effective and enables us to give the customer more product.

Bullet Resistant Curtain Wall BR 250 Level III



Head and Sill Detail. Horizontal Mullion.



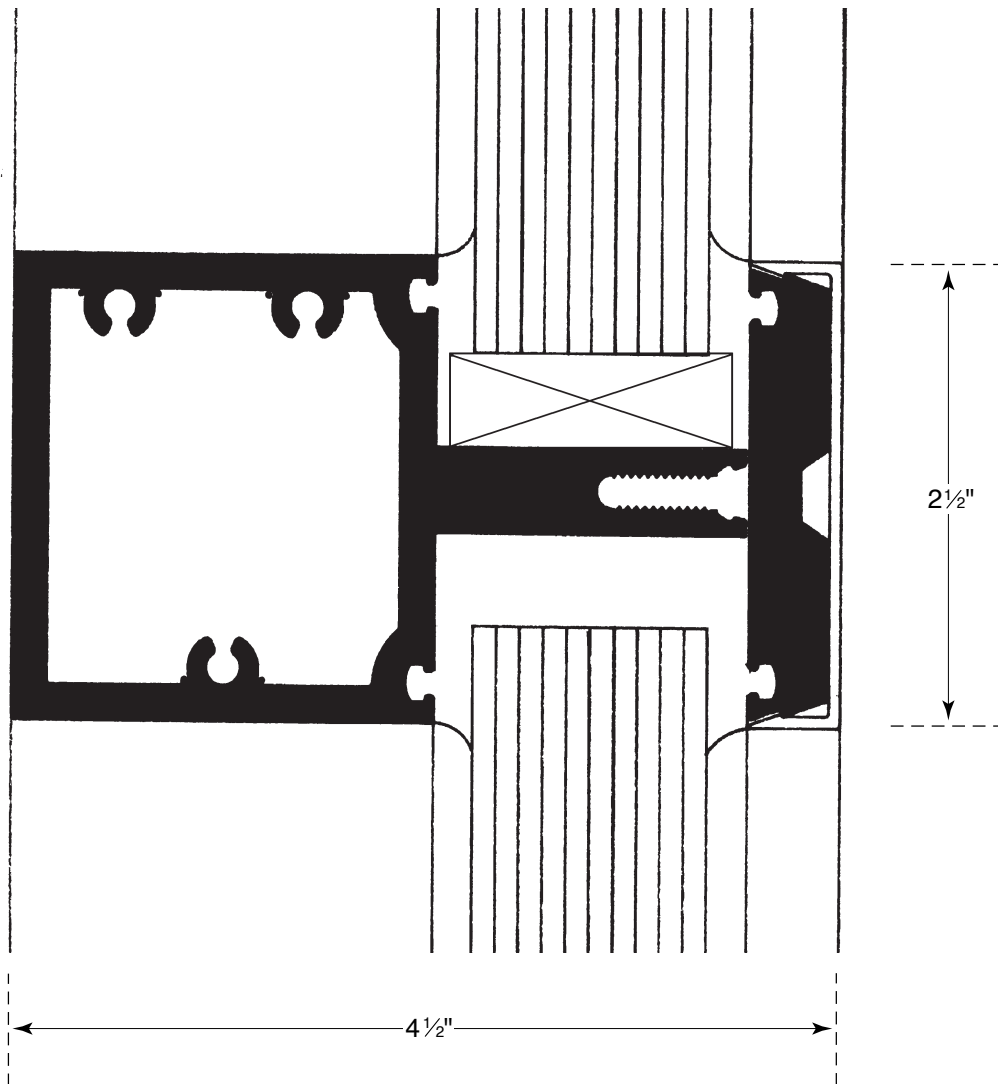
Jamb Detail. Vertical Mullion.

Specifications:

- Heavy duty aluminum construction.
- The system is bullet resistant in itself without the need for bullet resistant filler materials.
- Custom designed screw spline system.
- Custom designs to your individual requirements.
- 2 1/2" x 4 1/2" framing system.
- 1 3/4" glazing pocket to receive appropriate security materials.
- Glazing gasket to be vinyl.
- Tight hair line joints horizontal to vertical legs.
- Ballistic tested in accordance with UL 752 8th edition dated January 28, 1991 by HP White Test Laboratories.

BR 250 Curtain Wall

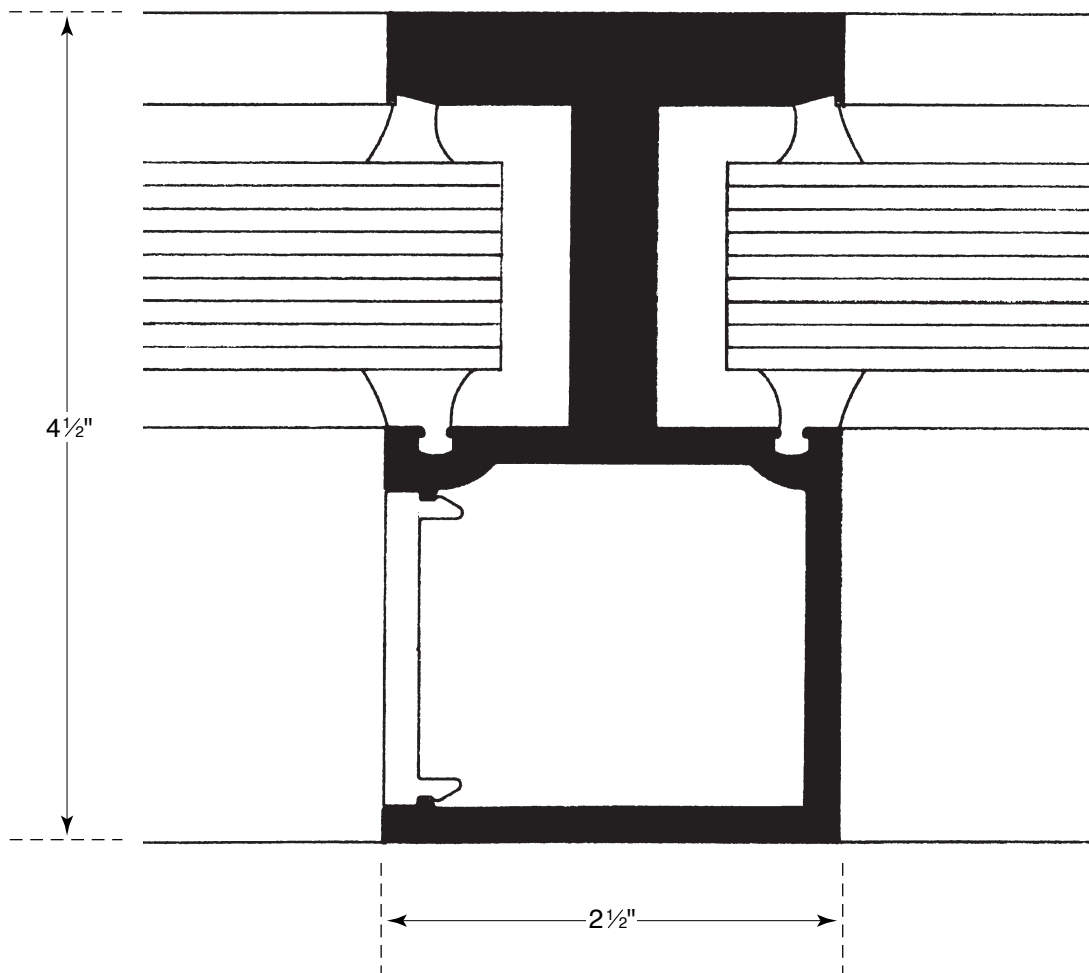
Horizontal Mullion / double glaze



Scale: Full Size

BR 250 Curtain Wall

Vertical Mullion / double glaze



Scale: Full Size

SPECIFICATIONS

BR 250 Level III Curtain Wall

► General Description

Work Included: Furnish all necessary materials, labor and equipment for the complete installation of aluminum framing as shown on the drawings and specified herein (It is recommended that specifier include related items, ie: glass sealants, entrances etc. when possible). All framing members shall conform to the exact profiles, and configurations.

Work not included: Structural support of the framing system, aluminum sub sills, flashing, receptors, closures (Other exclusions by specifier).

Related Work: (see specifier list)

► Quality Assurance

Drawings and specifications are based on BR 250 Curtain wall system as manufactured by Action Bullet Resistant.

Other manufacturers requesting approval to bid their product as an equal must submit the following information fifteen days prior to close of bidding:

1. Test reports by a certified test lab showing compliance with UL 752 standards to meet threat level III Super Power Small Arms.
2. A sample window (specifier to determine sample size) as per architects requirements.

(It is recommended that specifier specifies glass and glazing in section 08800. Action recommends that the window manufacturer provide the glazing if specified in this section).

► Curtain Wall Construction

1. Aluminum Extrusions: shall be extruded from prime billet. Alloy and temper to be equivalent to 6005-T5 (Tensile strength - ksi with a minimum ultimate of 38.0 and minimum yield of 35.0).
 2. Heavy duty aluminum bullet resistant in itself without the need for bullet resistant filler material.
 3. Frame to be 2 1/2" x 4 1/2" with 3/16" minimum wall thickness on vertical and horizontal mullion
 4. Glazing pocket to be 1" deep for proper bite.
 5. Glazing gasket to be neoprene.
 6. Frames to have screw spline system with tight hairline joints where horizontal mullions meet vertical mullions.
- (Finishes as specified on drawings)

► Window Glazing

1. Bullet resistant glazing shall be specified by the end user consistent with threat level III.
2. Glazing material for bullet resistant use shall be of a type listed by Underwriters Laboratories standard 752 for bullet resistance and or as approved by H.P. White Test Laboratories for specified bullet resistance.

► Limitations

Action Bullet Resistant BR 250 Curtain Wall window is designed to meet the UL standard 752 threat level III and GSA/ISC medium level blast loads. It is recommended that each end user determine their ballistic threat and identify the correct product to resist that threat.

ACTION

BULLET RESISTANT

263 Union Boulevard, West Islip, New York 11795 ■ 631 422-0888 800 962-8088 Fax: 631 422-4498 ■ <http://www.actionbullet.com>

SECURITY STOREFRONTS

Bullet Resistant Project Out Window Level III



Project Out Window Test Coupon

Action Bullet Resistant Level 3 Project Out Window is designed and specifically engineered to provide maximum protection against ballistic attack and still have heavy commercial wind and water resistant qualities.

► You have a variety of glazing types to choose from. All glass laminate, glass clad polycarbonate laminates, and laminated polycarbonates.

► The Projection window is available in mill, clear or bronze anodized and painted finishes.

► The windows are fabricated in the Factory and are shipped ready for installation.

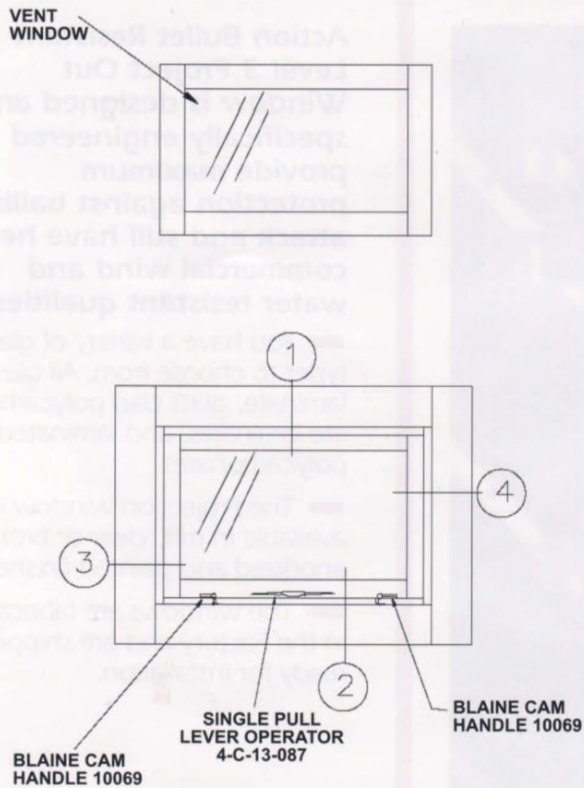
ACTION

BULLET RESISTANT

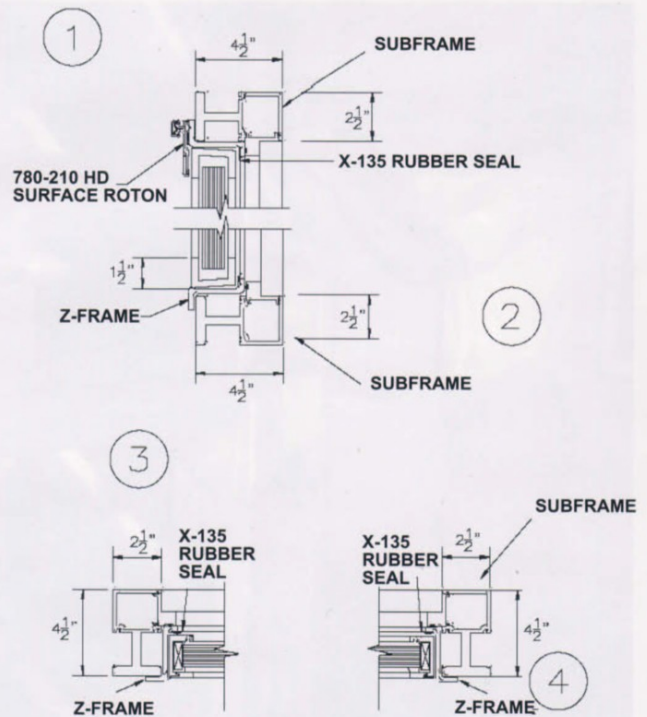
Bullet Resistant Sash Project Out Window Level III

With "Z" Framing System

ELEVATIONS



DETAILS



Notes:

1. BR Level 3 Project Out Window With "Z" Framing System and BR Level 3 Glazing.

Hardware:

1. Surface Applied Full Length Roton 780-210 HD
2. X-135 Rubber Seal.
3. Blaine Cam Handle.
4. Single Pull Lever Operator 4-C-13-087.



BULLET RESISTANT

263 Union Boulevard, West Islip, New York 11795 ■ 631 422-0888 800 962-8088 Fax: 631 422-4498 ■ <http://www.actionbullet.com>

SECURITY STOREFRONTS

SPECIFICATIONS

Bullet Resistant 250 Level III Project Out Window

► General Description

Work included: Furnish all necessary materials, labor, and equipment for the complete installation of aluminum project out window and framing as shown on the drawings and specified herein (it is recommended that specifier include related items, ie: glass sealants, surrounding frames, etc. when possible.) All framing members shall conform to the exact profiles, and configurations.

Work not included: Structural support of the framing system, flashing, receptors, closures.

(Other exclusions by specifier)

Related Work: (see specifier list)

► Quality Assurance

Drawings and specifications are based on BR 250 Project Out Window as manufactured by Action Bullet Resistant, Inc. Other manufacturers requesting approval to bid their products as an equal must submit the following information fifteen days prior to closing of bidding.

1. Test reports by a certified test lab showing compliance with UL 752 standards to meet threat level 3 super Power Small Arms.
2. A sample Project Out Window rail section (specifier to determine sample size) as per architects requirements. (It is recommended that specifier specifies glass and glazing in section 08800. Action recommends that the window manufacturer provide the glazing if specified in this section.)

► Project Out Window Construction

1. Aluminum Extrusions: shall be extruded from prime billet. Alloy and temper to be equivalent to 6005-T5 (Tensile strength- ksi with a minimum ultimate of 38.0 and minimum yield of 35.0).
2. Aluminum Z frame style in conjunction with BR 250 frame.
3. Project Out Window to be 2 1/4" thick with 3/8" minimum wall thickness.
4. Horizontal head rails to be nominal 2" wide.
5. Horizontal base rail to be 2" wide.
6. Vertical stiles to be nominal 1 1/2" wide with a removable stop for glazing in field and replacement glazing.
7. Glazing pocket to be 7/8" deep for proper bite.

8. Glazing gasket to be neoprene.

9. Project Out Windows to have tight hairline joints where rails are fitted against stiles.

10. Project Out Window aluminum rails and stiles are bullet resistant in themselves without the need for bullet resistant filler material.

11. All joint connections to have anti rotation clips to provide rigid assembly.

► Project Out Window "Z" Frame

1. Perimeter "Z" frame 1/8" minimum wall thickness with welded mitered corners to be used in conjunction with BR 250 framing.
2. Aluminum Extrusion: shall be extruded from prime billet. Alloy and temper to be equivalent to 6005-T5 (tensile strength - ksi with a minimum ultimate of 38.0 and minimum yield of 35.0).
3. Frame to be 2 1/2" x 4 1/2" aluminum tube with 3/16" minimum wall thickness.
4. Frames to be fully fabricated in the factory and shipped to field installation.
5. All joint connections to have 3/8" clips for a rigid assembly when installed.
6. Project Out Window stops to be snap in integral part for extruded jamb shape.

► Project Out Window Hardware (standard)

1. Push-pull single lever operator lock handle.
2. Continues hinge.
3. Additional Cam handle locks [Optional]

► Door Frame

1. Bullet resistant glazing shall be specified by the end user and consistent with threat level 3.
2. Glazing material for bullet resistant use shall be of a type listed by Underwriters Laboratories standard 752 for bullet resistance and or as approved by H.P. White Test Laboratories for specified bullet resistance.

► Limitations

Action Bullet Resistant BR 250 Project Out Window is designed to meet the UL standard 752 threat level 3. It is recommended that each end user determine their ballistic threat and identify the correct product to resist that threat.

ACTION

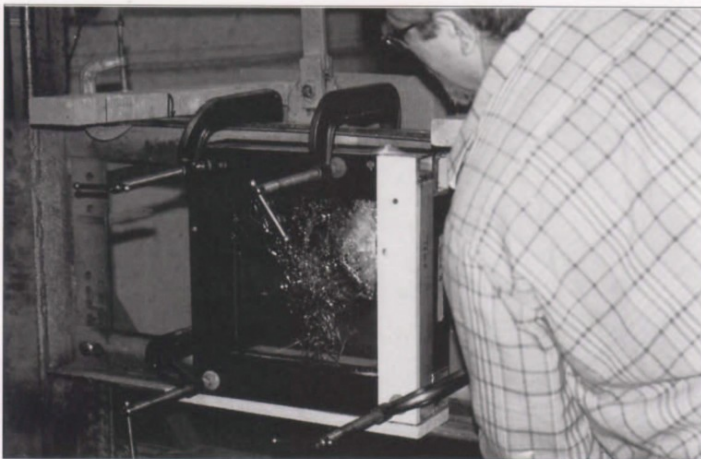
BULLET RESISTANT

263 Union Boulevard, West Islip, New York 11795 ■ 631 422-0888 800 962-8088 Fax: 631 422-4498 ■ <http://www.actionbullet.com>

SECURITY STOREFRONTS

Bullet Resistant Curtain Wall BR 450-4 Level IV

(Also Available in BR UL Level V and VIII)



Bullet Resistant 450-4 Curtain Wall System is engineered and tested to provide maximum protection against level 4 ballistic attack.



Bullet Resistant 450-4 Curtain Wall System.

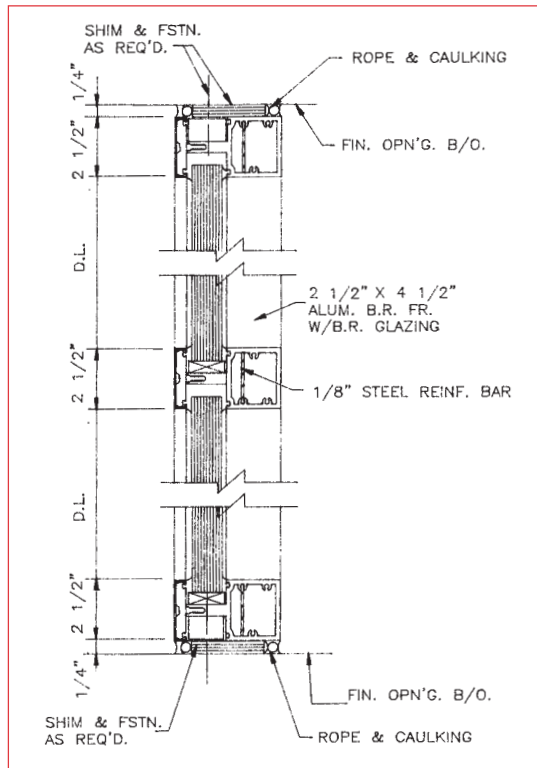
Action Bullet Resistant Level IV Curtain Wall Systems are designed and specifically engineered to provide maximum protection against ballistic attack.

- You have a variety of glazing types to choose from. Action uses glass clad polycarbonates as its primary glazing.
- The curtain wall system is available in mill finish, clear anodized, dark bronze anodized, black anodized, and painted finishes.
- The system is a screw spline system. The frames are fabricated at the factory and shipped for field installation.

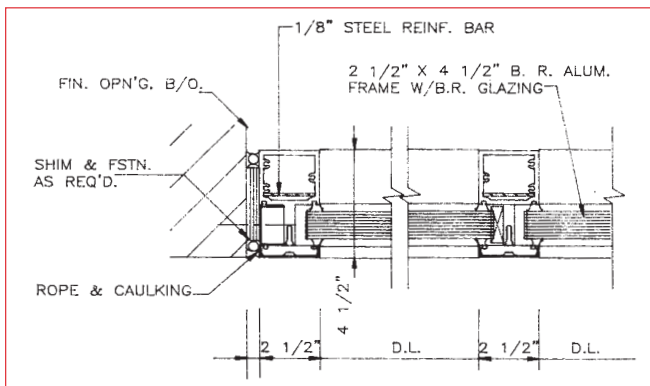
ACTION

BULLET RESISTANT

Bullet Resistant Curtain Wall BR 450-4 Level IV



Head, Sill and Horizontal Mullion Detail



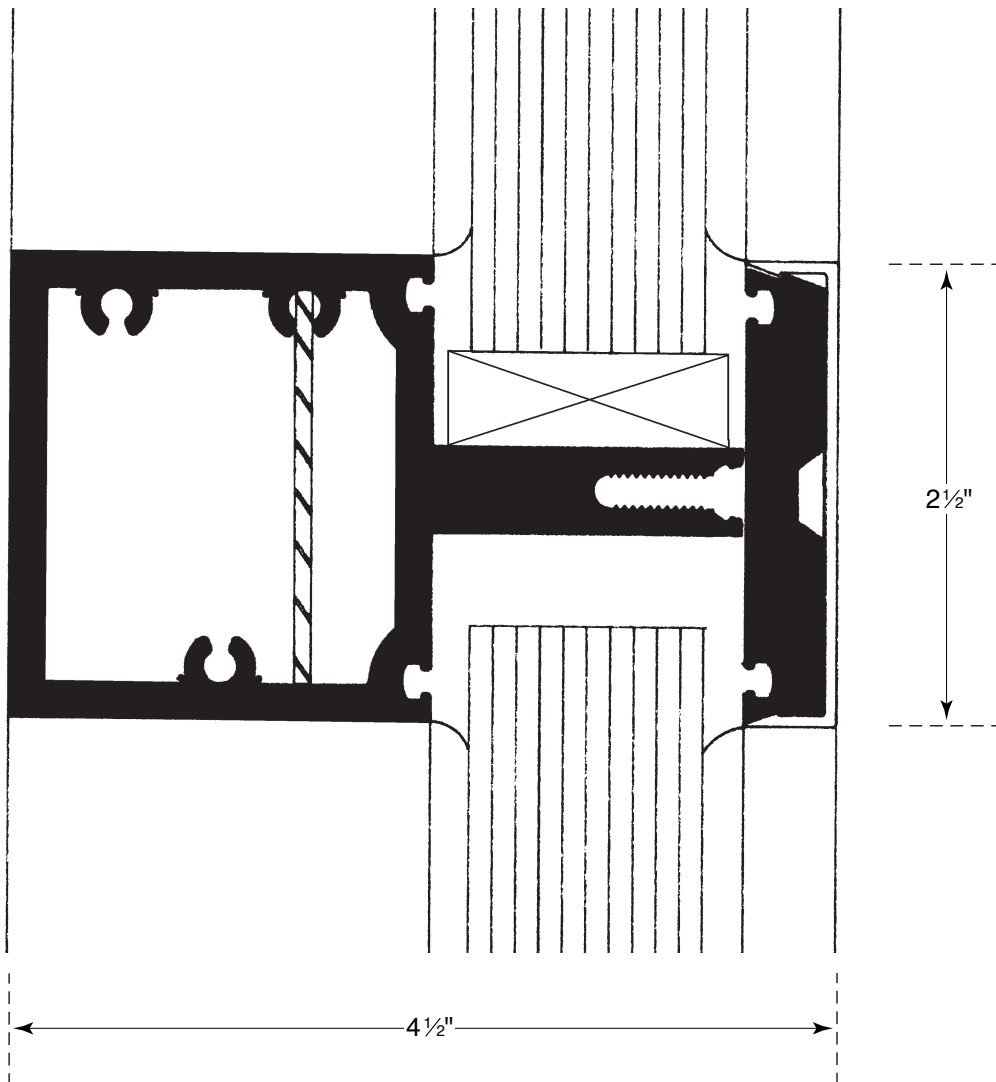
Jamb and Vertical Mullion Detail

Specifications:

- Heavy duty aluminum construction with bullet resistant armor in fill.
- Custom designed screw spline system.
- Custom designs to your individual requirements.
- 2 1/2" x 4 1/2" framing system.
- 1 3/4" glazing pocket to receive appropriate security materials.
- Glazing gasket to be vinyl.
- Tight hair line joints horizontal to vertical legs.
- Ballistic tested in accordance with UL 752 9th edition, paragraph 14, for ballistic resistance against a level IV threat.

BR 450-4 Curtain Wall

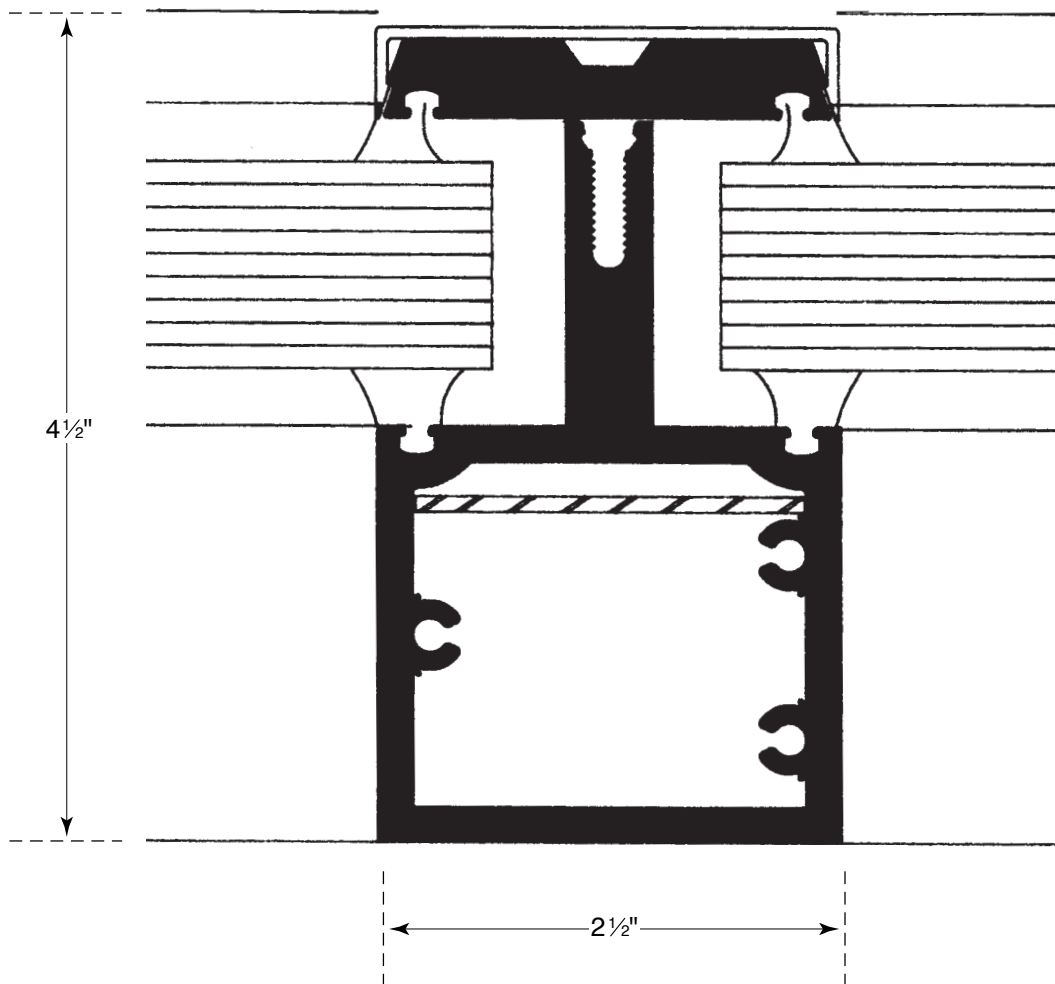
Horizontal Mullion / double glaze



Scale: Full Size

BR 450-4 Curtain Wall

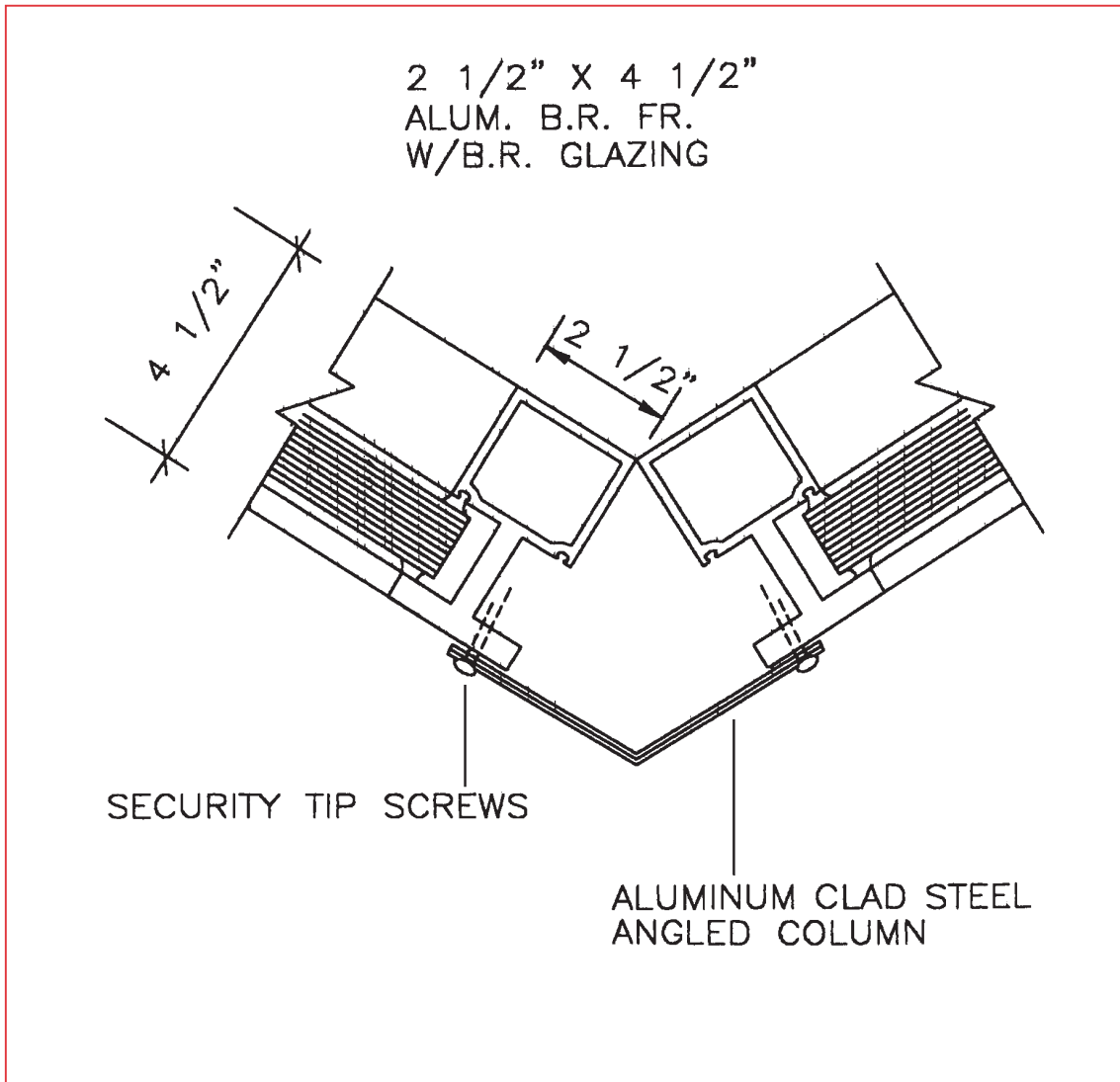
Vertical Mullion



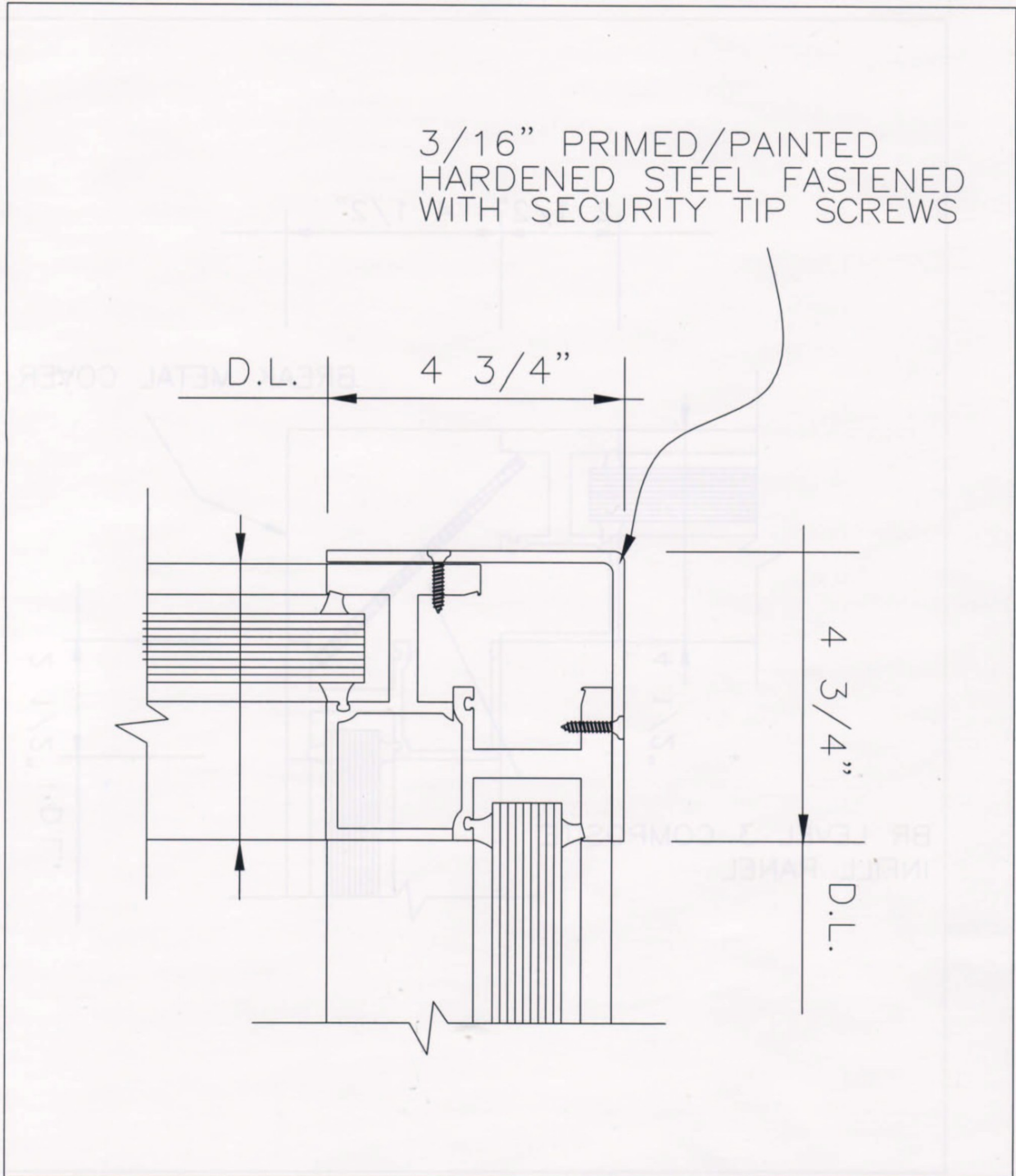
Scale: Full Size

BR Curtain Wall

Corner Closure Detail

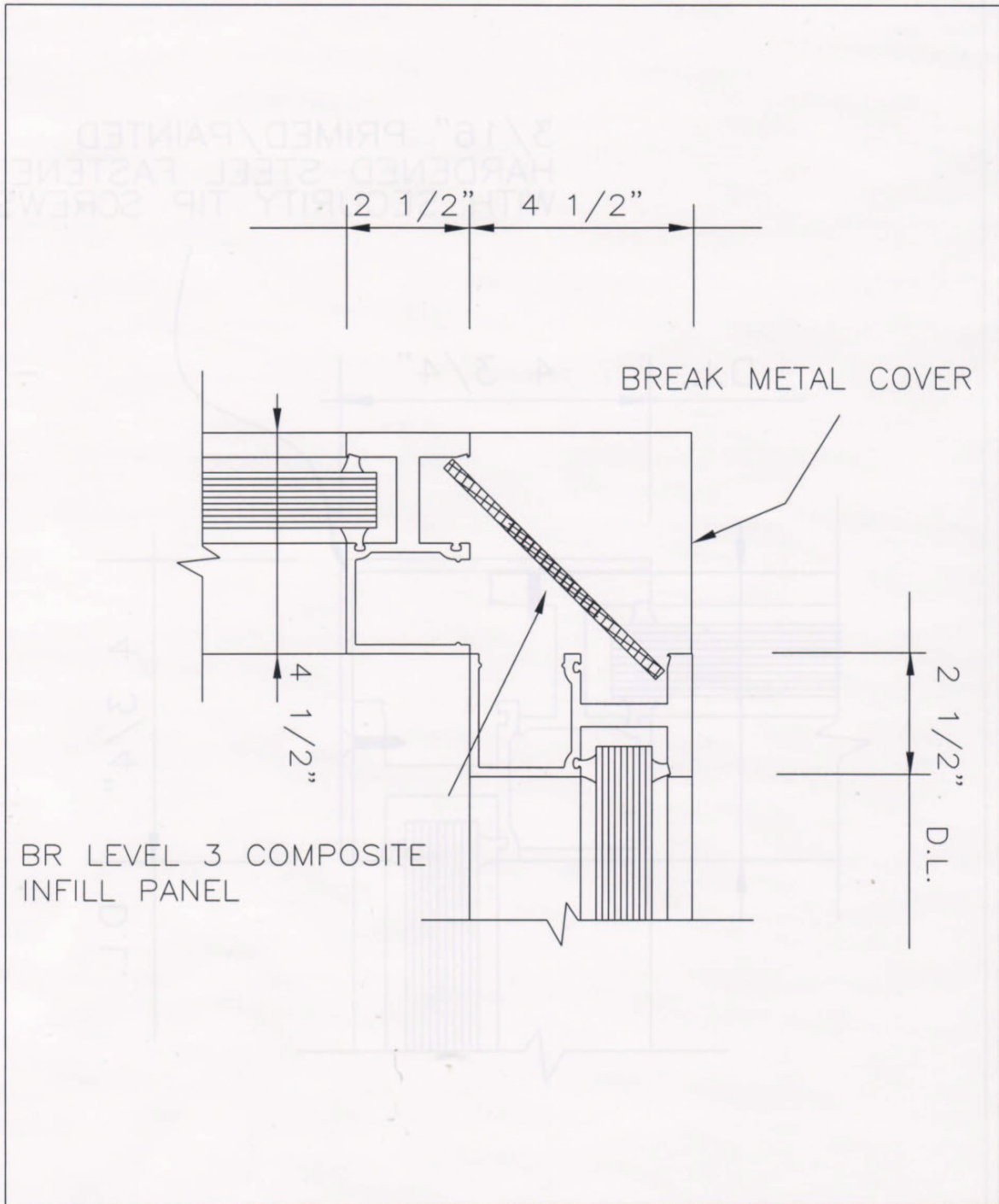


SECURITY STOREFRONTS



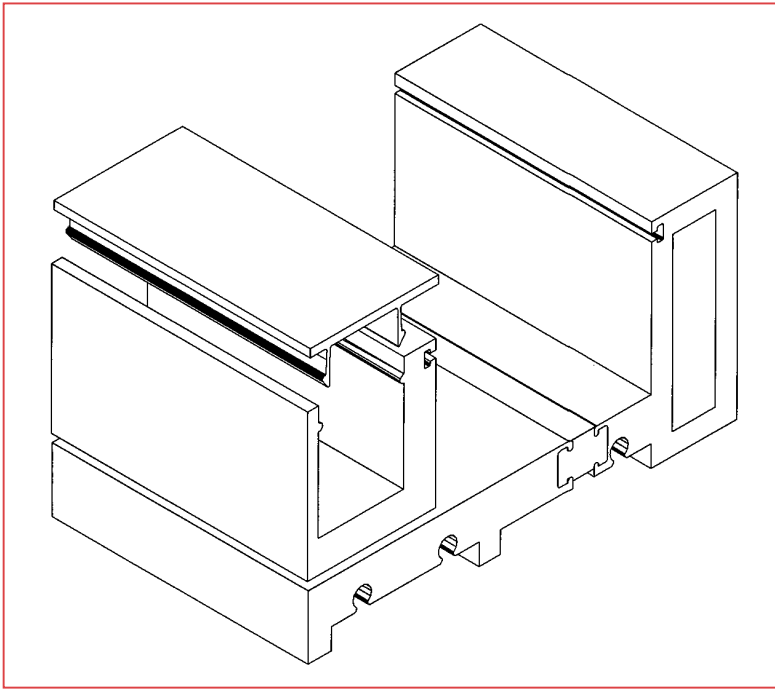
90° BR STEEL CORNER COLUMN DETAIL

SECURITY STOREFRONTS

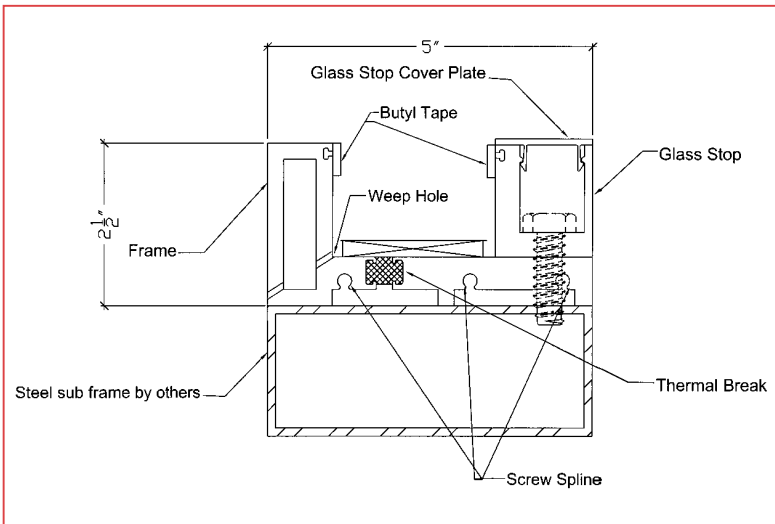


90° BR CORNER COMPOSITE INFILL DETAIL

Blast Resistant Window (Bullet Resistant UL Level III) BL 350



Blast Frame Detail



Action Bullet Resistant BL350 windows are designed and specifically engineered to meet DOS level blast loads and ballistic UL level III resistance

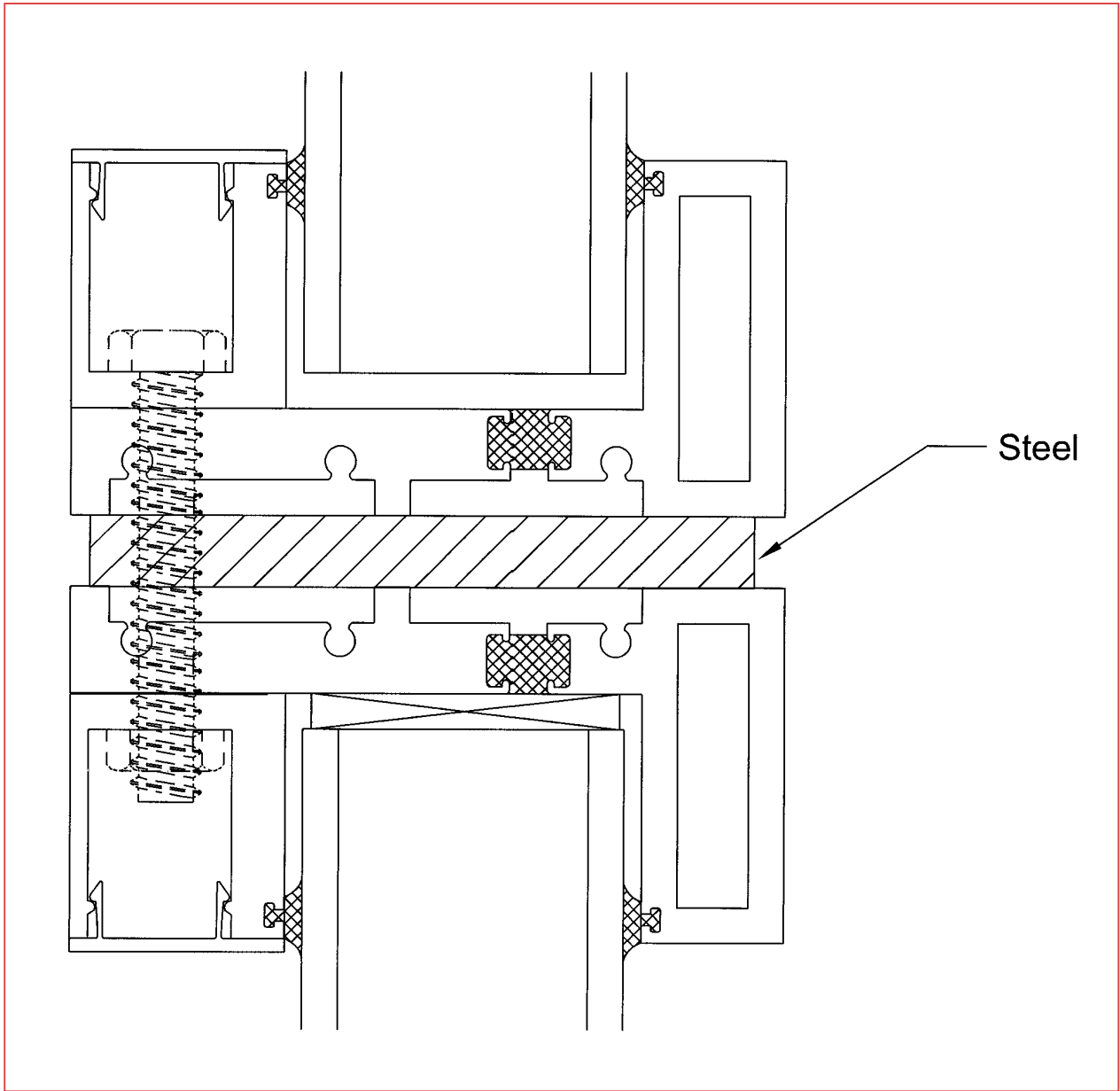
- The window was designed to receive a range of glazing types that meet GSA/ISC medium levels up to DOS level blast loads. By using insulated glass units a wide variety of glass types are available including coated such as tinted, Low E and reflective finishes.

- The window is a thermal screw spline system available in standard finishes; clear anodized, bronze anodized, and white painted. Special order custom color painted finishes are also available.

- BL350 was also designed by using heavy duty aluminum stand alone frame to meet UL level III ballistic threat (44 magnum) without the need for ballistic infills.

- It is recommended that each end user determine their specific blast threat requirements. Action Bullet Resistant will assist in attaining through a certified independent test facility, the correct design for your specific projects blast mitigation. This will include a wall design to resist the anticipated threat.

Blast Resistant Window



BL 350 Horizontal Mullion Multiple Bay Mull Detail

SPECIFICATIONS

BR 350 Window (BR Level III)

► General Description

Work Included: Furnish all necessary materials, labor and equipment for the complete installation of aluminum framing as shown on the drawings and specified herein (it is recommended that specifier include related items, i.e.: glass sealants, entrances, etc. when possible.) All framing members shall conform to the exact profiles, and configurations.

Work not included: Structural steel support of the framing system if required, aluminum sub sills, steel embeds, flashing, receptors, closures. (Other exclusions by specifier)

Related Work: (see specifier list)

► Quality Assurance

Drawings and specifications are based on BL350 Blast Resistant Window system as manufactured by Action Bullet Resistant, Inc.

Other manufacturers requesting approval to bid their products as an equal must submit the following information fifteen days prior to closing of bidding.

1. Ballistic Test reports by a certified test lab showing compliance with UL 752 standards to meet threat level III.
2. Analytical Test reports by a certified test lab showing DOS level blast loads.
3. A sample window (specifier to determine sample size) as per architects requirements.

(It is recommended that specifier specify glass and glazing in section 08800.

Action recommends that the window manufacturer provide the glazing if specified in this section.)

► BL350 Construction

1. Aluminum Extrusions: shall be extruded from prime billet. Alloy and temper to be equivalent to 6005-T5 (Tensile strength - ksi with a minimum ultimate of 38.0 and minimum yield of 35.0).
 2. Heavy duty aluminum bullet resistant UL level III in itself without the need for bullet resistant filler material.
 3. Frame to be 2 1/2" x 5" with 3/8" minimum wall thickness on two sides of tubular portion of frame.
 4. Glazing pocket to have a minimum bite of 1.193" deep for proper bite.
 5. Glazing stop to have a 3/8" minimum wall thickness on the base and loaded side of the stop.
 6. Butyl glazing gasket
 7. Frames to have screw spline system with tight hairline joints where horizontal mullions meet vertical mullions.
 8. BL350 windows are designed to be glazed from the interior.
- (Finishes as specified on drawings.)

► Window Glazing

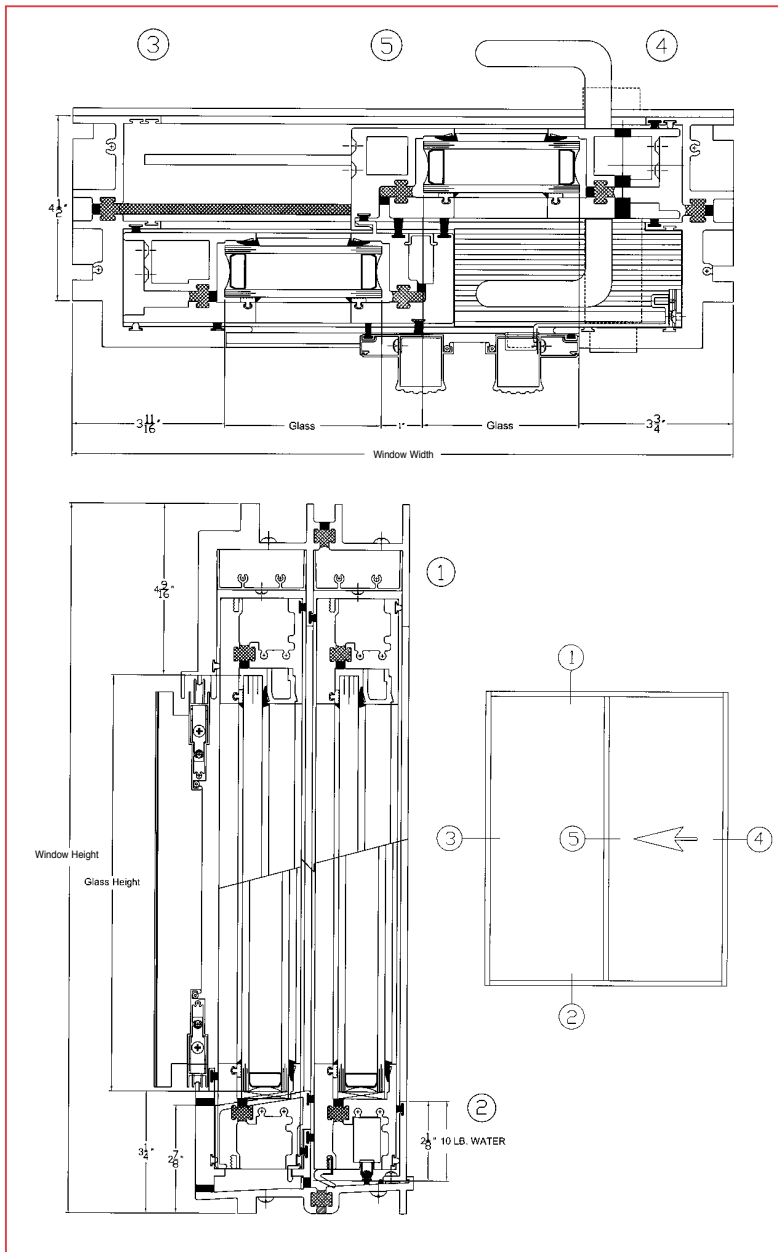
1. Bullet/blast resistant glazing shall be specified by the end user consistent with the ballistic threat level III and blast level specified.
2. Glazing material for bullet resistant use shall be of a type listed by Underwriters Laboratories standard 752 for bullet resistance and or as approved by H.P. White Test Laboratories for specified bullet resistance.

► Limitations

Action Bullet Resistant, Inc. BR350 Window is designed to meet the UL standard 752 threat level III and DOS level blast loads. It is recommended that each end user determine their ballistic and blast threat and identify the correct product to resist that threat.

Bullet Resistant Exterior Horizontal Sliding Window BR 250 ESW Level III

(Also Available in BR UL Level IV)



Action Bullet Resistant Level III exterior horizontal windows are designed and specifically engineered to provide maximum protection against ballistic attack as well as wind, and water infiltration.

- The window is a thermal break design.
- Heavy duty aluminum construction without the need for ballistic infills.
- 5^{5/8}" x 4^{3/8}" framing system
- You have a variety of ballistic glazing types to choose from; laminated glass, laminated polycarbonate, glass clad polycarbonates, and air gap glass/polycarbonates.
- The window is a screw spline design, available in clear anodized, dark bronze anodized and special order painted finishes.
- The windows ship fabricated and pre glazed ready for installation.
- Ballistic tested to UL 752 level III Tenth Edition dated March 10, 2000.
- Test to: ASTM E 283-91, ASTM E 331-00, ASTM 330-96

SPECIFICATIONS

BR 250 ESW Level III Exterior Horizontal Slide Window

► General Description

Work Included: Furnish all necessary materials, labor and equipment for the complete installation of aluminum horizontal slide window and framing as shown on the drawings and specified herein (it is recommended that specifier include related items, i.e.: glass sealants, surrounding frames, etc. when possible.) All framing members shall conform to the exact profiles, and configurations.

Work not included: Structural support of the framing system. (Other exclusions by specifier)

Related Work: (see specifier list)

► Quality Assurance

Drawings and specifications are based on BR 250 Horizontal Slide Window as manufactured by Action Bullet Resistant, Inc.

Other manufacturers requesting approval to bid their products as an equal must submit the following information fifteen days prior to closing bidding.

1. Test reports by a certified test lab showing compliance with UL 752 standards to meet threat level III Super Power Small Arms.
2. A sample horizontal slide rail section (specifier to determine sample size) as per architects requirements.

(It is recommended that specifier specify glass and glazing in section 08800. Action recommends that the window manufacturer provide the glazing if specified in this section.)

► Horizontal Slide Window Construction

1. Aluminum Extrusions: shall be extruded from prime billet. Alloy and temper to be equivalent to 6005-T5 (Tensile strength - ksi with a minimum ultimate of 38.0 and minimum yield of 35.0).
2. Horizontal Slide Panel to be 2¹/₈" thick with 1¹/₈" minimum wall thickness combined with 1¹/₂" wall thickness.

3. Horizontal head rails to be nominal 5¹/₂" wide.
4. Horizontal base rail to be nominal 5¹/₂" wide.
5. Vertical stiles to be nominal 2¹/₈" wide screw spline system for reglazing.
6. Glazing pocket to be 15¹/₁₆" deep for proper bite.
7. Glazing gasket to be neoprene.
8. Horizontal Slide Window to have tight hairline joints where rails are fitted against stiles.
9. Horizontal Slide Window aluminum rails and stiles are bullet resistant in themselves without the need for bullet resistant filler material.

► Horizontal Slide Window Hardware (standard)

1. Adams Rite 1850 M/S Deadlock with 1¹/₂" backset with hook bolt.
2. Thumb turn on interior.
3. Offset wire pull handle.
4. Builders Hardware roller housing TA-36 series.
5. Starline stainless steel track cover (Finishes as specified on drawings.)

► Window Frame

1. Bullet resistant glazing shall be specified by the end user and consistent with threat level III.
2. Glazing material for bullet resistant use shall be of a type listed by Underwriters Laboratories standard 752 for bullet resistance and or as approved by H.P. White Test Laboratories for specified bullet resistance.

► Limitations

Action Bullet Resistant, Inc. BR 250 Horizontal Window is designed to meet the UL standard 752-threat level 3. It is recommended that each end-user determine their ballistic threat and identify the correct product to resist that threat.



BULLET RESISTANT

263 Union Boulevard, West Islip, New York 11795 ■ 631 422-0888 800 962-8088 Fax: 631 422-4498 ■ A Division of Action Storefronts, Inc.

<http://www.actionbullet.com>

SECURITY STOREFRONTS

Bullet Resistant 150 Door Level I



BR 150 Full Glass Door

Action Bullet Resistant Door Systems are designed and specifically engineered to provide maximum protection against ballistic attack.

➤ Each door is manufactured with a specific job in mind. Standard and custom sizes are readily available with our standard hardware package.

➤ Specialty hardware including electric release, magnetic systems and panic hardware are available options.

➤ You have a variety of glazing types to choose from.

➤ You can choose from full vision, 1/2 panel, or full panel.

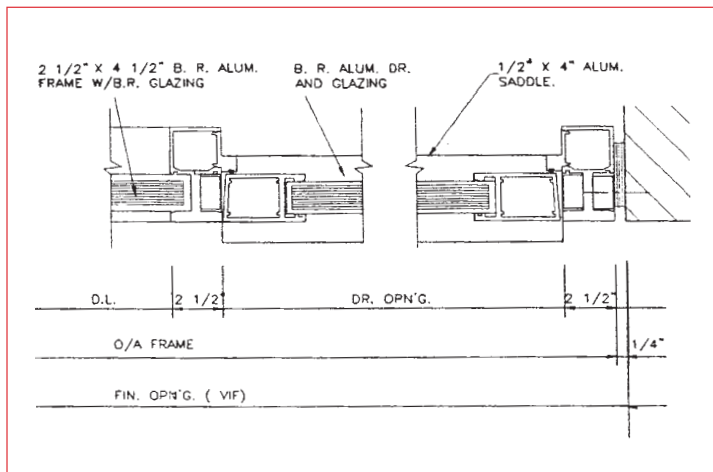
➤ The door and frame are available in mill finish, clear anodized, dark bronze anodized, black anodized, painted and clad finishes.

➤ Our opaque armor panel door can be finished with an aluminum skin or wood veneer.

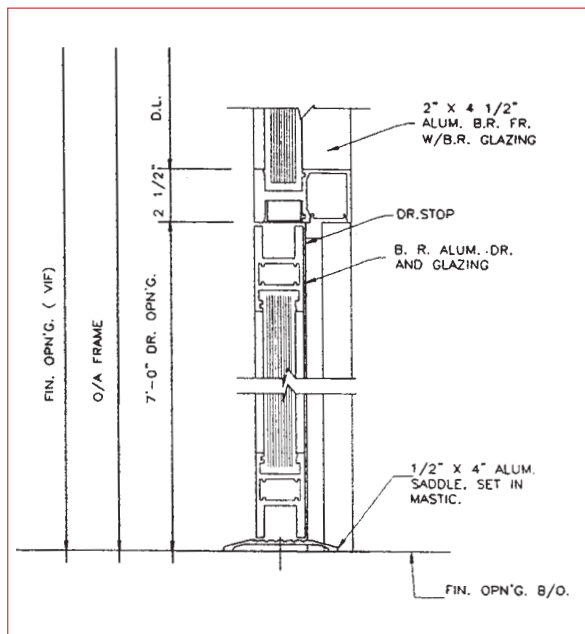
➤ Style Options: Full light, split light, light/opaque, opaque, double doors, sidelights, transoms.



Bullet Resistant 150 Door Level I



Vertical Door Style

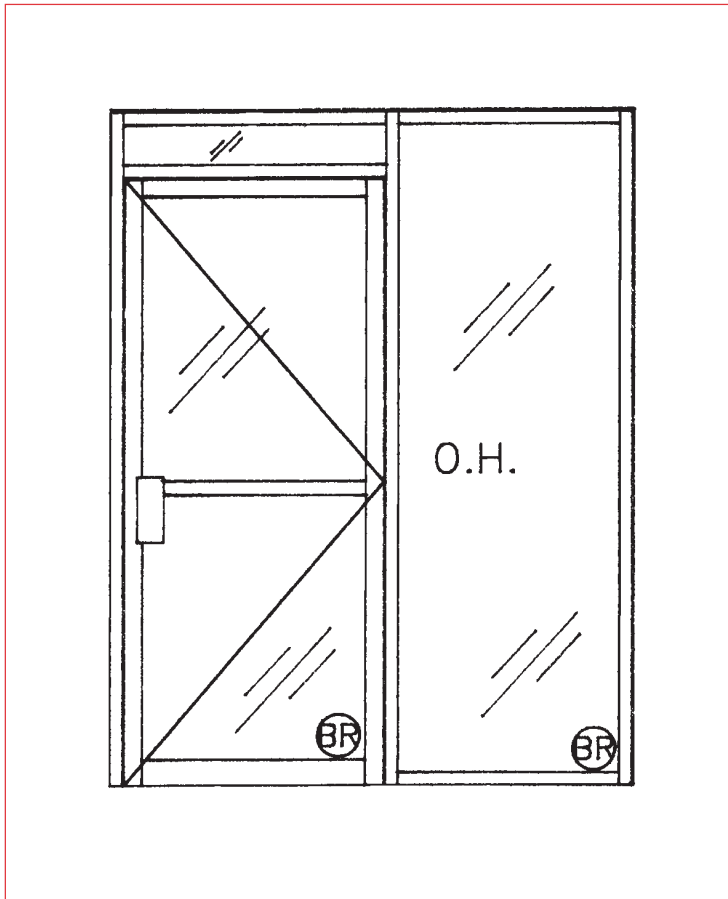


Horizontal Door Rail

Specifications:

- Aluminum construction.
- The system is bullet resistant in itself without the need for bullet resistant filler material.
- Custom designed screw spline system.
- Custom designed to your individual requirements.
- 2 1/2" x 4 1/2" framing system.
- 1 3/4" glazing pocket to receive appropriate security material.
- Glazing gaskets to be vinyl.
- Tight hair line joints to vertical legs.
- Door rails are 2 1/4" x 4" heavy duty construction.
- Medium style.
- Door stop to be solid snap in and made an integral part of door frame for added protection.
- Ballistic tested in accordance with UL 752 9th edition, paragraph 14, for ballistic resistance against a level 1 threat.

Bullet Resistant Level I Door

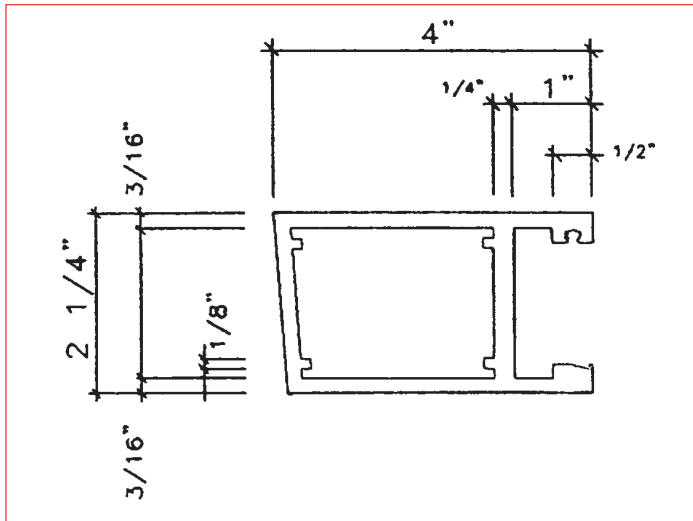


BR 150 Door with Sidelite and Transom

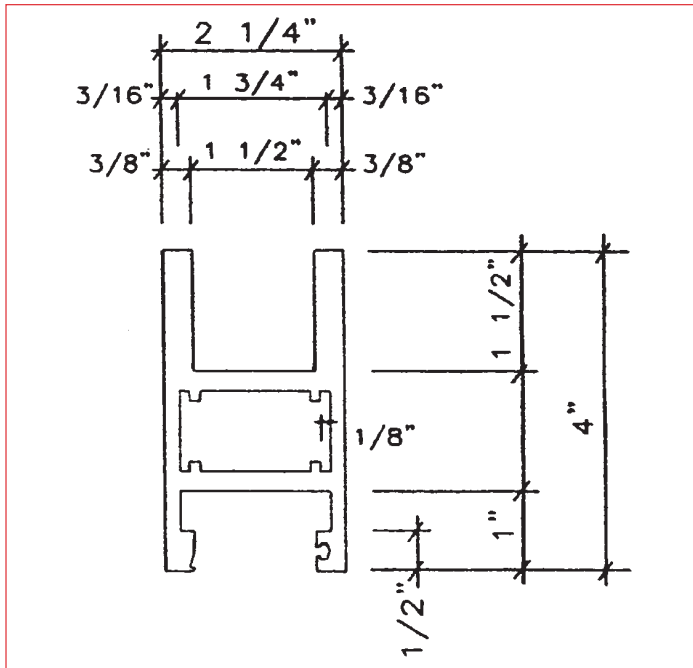
Specifications:

- Aluminum construction.
- Custom designed.
- Medium style.
- 2 1/4" x 4" with 3/16" minimal wall thickness.
- Hair line joints where stiles are fitted to rails.
- Shear blocks to add strength to assembly.
- Door stiles and rails are bullet resistant without the need for filler materials.
- Door jamb hinged side to have 1/2" solid aluminum face to save time in field installation and to add to strength of system.
- Door jamb, head, and transom bar to be composed of bullet resistant screw spline system consistent with level 1 threat.
- Ballistic tested in accordance with UL 752 9th edition, paragraph 14, for ballistic resistance against a level 1 threat.

Bullet Resistant Level I Door



Vertical Door Style



Horizontal Door Rail

Door Frame Specifications:

- Vertical styles to be 2 1/4" x 4"
- 1" deep rabbet to allow for proper glazing depth.
- Glazing gasket to be vinyl.
- Aluminum construction.
- Door rails 2 1/4" x 4"
- Medium style.
- Door stop to be solid snap in and made an integral part of door frame for added protection.

SPECIFICATIONS

BR 150 Level I Door

► General Description

Work Included: Furnish all necessary materials, labor and equipment for the complete installation of aluminum door and framing as shown on the drawings and specified herein (It is recommended that specifier include related items, ie: glass sealants, entrances etc. when possible). All framing members shall conform to the exact profiles, and configurations.

Work not included: Structural support of the framing system, flashing, receptors, closures. (Other exclusions by specifier)

Related Work: (see specifier list)

► Quality Assurance

Drawings and specifications are based on BR 150 Door as manufactured by Action Bullet Resistant, a division of Action Storefronts, Inc. Other manufacturers requesting approval to bid their product as an equal must submit the following information fifteen days prior to close of bidding:

1. Test reports by a certified test lab showing compliance with UL 752 standards to meet threat level I Medium Power Small Arms.
2. A sample door rail section (specifier to determine sample size) as per architects requirements.

(It is recommended that specifier specifies glass and glazing in section 08800. Action recommends that the window manufacturer provide the glazing if specified in this section).

► Door Construction

1. Aluminum Extrusions: shall be extruded from prime billet. Alloy and temper to be equivalent to 6005-T5 (Tensile strength - ksi with a minimum ultimate of 38.0 and minimum yield of 35.0).
2. Heavy duty aluminum, medium style.
3. Doors to be 2 1/4" thick with 3/16" minimum wall thickness.
4. Horizontal head rails to be nominal 4" wide.
5. Horizontal base rail to be 5 1/2" wide with removable stop for glazing in field and replacement glazing.
6. Vertical stiles to be nominal 4" wide.
7. Glazing pocket to be 1" deep for proper bite.
8. Glazing gasket to be neoprene.
9. Doors to have tight hairline joints where rails are fitted against stiles.
10. Door rails and stiles are bullet resistant in themselves without the need for bullet resistant filler materials.
11. All joint connections to have anti rotation clips to provide rigid assembly in conjunction with 3/8" threaded rod.

► Door Frame

1. Aluminum Extrusion: shall be extruded from prime billet. Alloy and temper to be equivalent to 6005-T5 (tensile strength - ksi with a minimum ultimate of 38.0 and minimum yield of 35.0).

(over)

A Division of Action Storefronts, Inc.

263 Union Blvd. West Islip, NY 11795 □ 631 422-0888 800 962-8088 Fax: 631 422-4498 □ www.actionbullet.com



SECURITY STOREFRONTS

2. Frame to be 2¹/₂" x 4¹/₂" aluminum tube with ³/₁₆" minimum wall thickness.
3. Frames to be fully fabricated in the factory and shipped for field installation.
4. All joint connections to have ³/₈" clips for a rigid assembly when installed.
5. Horizontal transom and vertical jambs to be bullet resistant in themselves without the need for bullet resistant filler materials.
6. Door stops to be snap in integral part for extruded jamb shape.

► Door Hardware (standard)

1. Push-pull handles.
 2. Exposed overhead closer #4 with back check.
 3. Continuous hinge.
 4. Maximum security dead bolt lock. (optional hardware available).
- (Finishes as specified on drawings)

► Door Frame

1. Bullet resistant glazing shall be specified by the end user consistent with threat level I.
2. Glazing material for bullet resistant use shall be of a type listed by Underwriters Laboratories standard 752 for bullet resistance and or as approved by H.P. White Test Laboratories for specified bullet resistance.

► Limitations

Action Bullet Resistant, a division of Action Storefronts Inc., BR 150 Curtain Wall window is designed to meet the UL standard 752 threat level I. It is recommended that each end user determine their ballistic threat and identify the correct product to resist that threat.

A Division of Action Storefronts, Inc.

263 Union Blvd. West Islip, NY 11795 ☐ 631 422-0888 800 962-8088 Fax: 631 422-4498 ☐ www.actionbullet.com



BULLET RESISTANT

263 Union Boulevard, West Islip, New York 11795 ■ 631 422-0888 800 962-8088 Fax: 631 422-4498 ■ A Division of Action Storefronts, Inc.

<http://www.actionbullet.com>

SECURITY STOREFRONTS

Bullet Resistant Level III Door



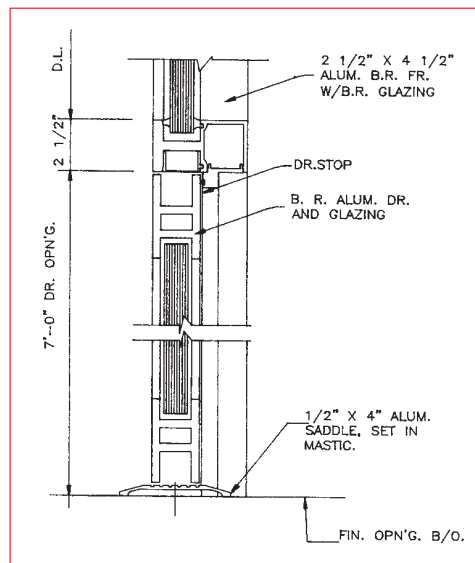
Bullet Resistant Door with Transom and Electric Release System

Action Bullet Resistant Level III Door Systems are designed and specifically engineered to provide maximum protection against ballistic attack and forced entry.

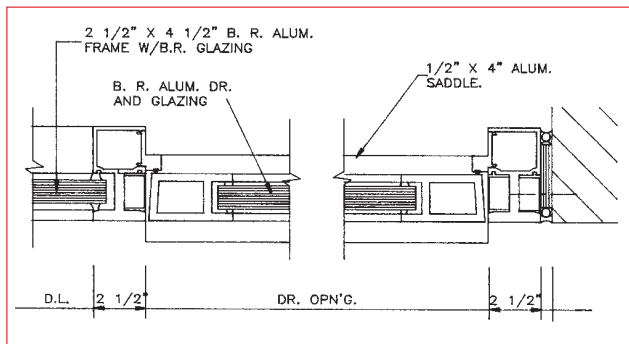
- Each door is manufactured with a specific job in mind. Standard and custom sizes are readily available with our standard hardware package.
- Specialty hardware including electric release systems and panic hardware are available options.
- You have a variety of glazing types to choose from. Action uses laminated polycarbonates as its primary glazing as well as glass clad polycarbonates.
- The door and frame are available in mill finish, clear anodized, Dark bronze anodized, black anodized, and painted finishes.
- Our opaque armor panel door can be finished in a mica laminate or aluminum skin.
- Style Options: Full light, split light, light/opaque, opaque, double doors, sidelights, transoms.



Bullet Resistant Level III Door



Head And Saddle Detail

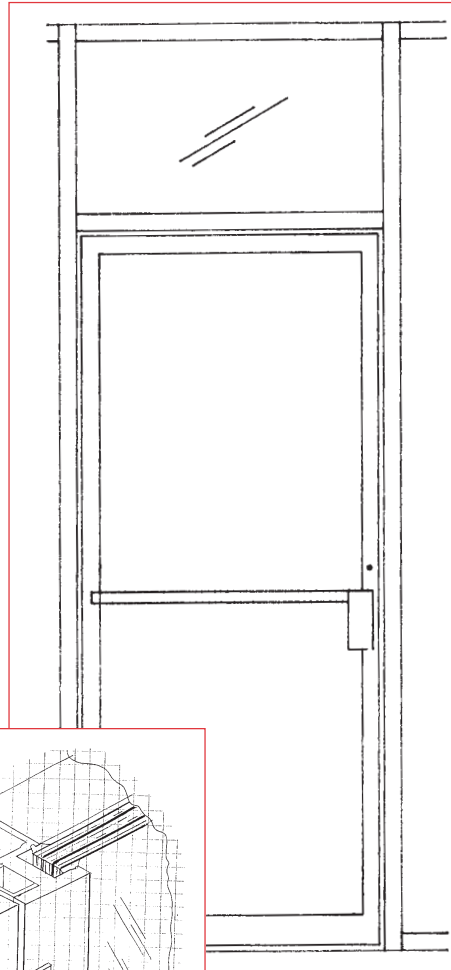


Door Jamb Detail

Level III Bullet Resistant Door Frame Specifications:

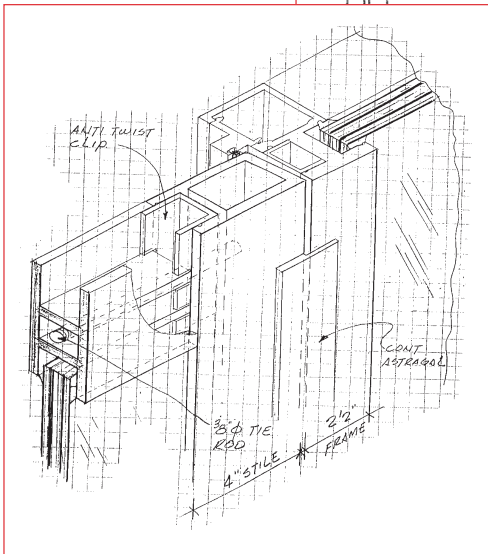
- Frame to be 2 1/2" x 4 1/2" heavy duty aluminum construction.
- Frames to be fabricated at factory and shipped for field installation.
- Door jamb to have 1/2" solid aluminum finished face to save time in field installation and to add strength to system.
- Door jamb, head and transom bar to be composed of bullet resistant screw spline system consistent with level III threat.
- Door stop to be solid aluminum snap in and made an integral part of door frame.

Bullet Resistant Level III Door



Full Door

Cutaway Section



Specifications:

- Heavy duty aluminum construction.
- Custom designed.
- Medium style.
- 2 1/4" x 4" thick with 3/8" minimal wall thickness.
- Vertical stiles to be nominal 4" wide.
- Horizontal rails to be nominal 4" wide.
- 1" deep rabbet to allow for proper glazing depth.
- Glazing gasket to be vinyl.
- Hair line joints where stiles are fitted to rails.
- Shear blocks at joints to add strength to assembly.
- Door stiles and rails are bullet resistant with out the need for filler materials.
- Ballistic tested in accordance with UL 752 8th edition dated January 28, 1991 by HP White Test Laboratories.

SPECIFICATIONS

BR 250 Level III Door

➤ General Description

Work Included: Furnish all necessary materials, labor and equipment for the complete installation of aluminum door and framing as shown on the drawings and specified herein (It is recommended that specifier include related items, ie: glass sealants, entrances etc. when possible). All framing members shall conform to the exact profiles, and configurations.

Work not included: Structural support of the framing system, flashing, receptors, closures. (Other exclusions by specifier)

Related Work: (see specifier list)

➤ Quality Assurance

Drawings and specifications are based on BR 250 Door as manufactured by Action Bullet Resistant, a division of Action Storefronts, Inc. Other manufacturers requesting approval to bid their product as an equal must submit the following information fifteen days prior to close of bidding:

1. Test reports by a certified test lab showing compliance with UL 752 standards to meet threat level III Super Power Small Arms.
2. A sample door rail section (specifier to determine sample size) as per architects requirements.

(It is recommended that specifier specifies glass and glazing in section 08800. Action recommends that the window manufacturer provide the glazing if specified in this section).

➤ Door Construction

1. Aluminum Extrusions: shall be extruded from prime billet. Alloy and temper to be equivalent to 6005-T5 (Tensile strength - ksi with a minimum ultimate of 38.0 and minimum yield of 35.0).
2. Heavy duty aluminum, medium style.
3. Doors to be 2 1/4" thick with 3/8" minimum wall thickness.
4. Horizontal head rails to be nominal 4" wide.
5. Horizontal base rail to be 5 1/2" wide with removable stop for glazing in field and replacement glazing.
6. Vertical stiles to be nominal 4" wide.
7. Glazing pocket to be 1" deep for proper bite.
8. Glazing gasket to be neoprene.
9. Doors to have tight hairline joints where rails are fitted against stiles.
10. Door rails and stiles are bullet resistant in themselves without the need for bullet resistant filler materials.
11. All joint connections to have anti rotation clips to provide rigid assembly in conjunction with 3/8" threaded rod.

➤ Door Frame

1. Aluminum Extrusion: shall be extruded from prime billet. Alloy and temper to be equivalent to 6005-T5 (tensile strength - ksi with a minimum ultimate of 38.0 and minimum yield of 35.0).

(over)

A Division of Action Storefronts, Inc.

263 Union Blvd. West Islip, NY 11795 ☐ 631 422-0888 800 962-8088 Fax: 631 422-4498 ☐ www.actionbullet.com



SECURITY STOREFRONTS

2. Frame to be 2 1/2" x 4 1/2" aluminum tube with 3/16" minimum wall thickness.
3. Frames to be fully fabricated in the factory and shipped for field installation.
4. All joint connections to have 3/8" clips for a rigid assembly when installed.
5. Horizontal transom and vertical jambs to be bullet resistant in themselves without the need for bullet resistant filler materials.
6. Door stops to be snap in integral part for extruded jamb shape.

► Door Hardware (standard)

1. Push-pull handles.
 2. Exposed overhead closer #4 with back check.
 3. Continuous hinge.
 4. Maximum security dead bolt lock. (optional hardware available).
- (Finishes as specified on drawings)

► Door Glazing

1. Bullet resistant glazing shall be specified by the end user consistent with threat level III.
2. Glazing material for bullet resistant use shall be of a type listed by Underwriters Laboratories standard 752 for bullet resistance and or as approved by H.P. White Test Laboratories for specified bullet resistance.

► Limitations

Action Bullet Resistant, a division of Action Storefronts Inc., BR 250 Curtain Wall window is designed to meet the UL standard 752 threat level III. It is recommended that each end user determine their ballistic threat and identify the correct product to resist that threat.

A Division of Action Storefronts, Inc.

263 Union Blvd. West Islip, NY 11795 ☐ 631 422-0888 800 962-8088 Fax: 631 422-4498 ☐ www.actionbullet.com

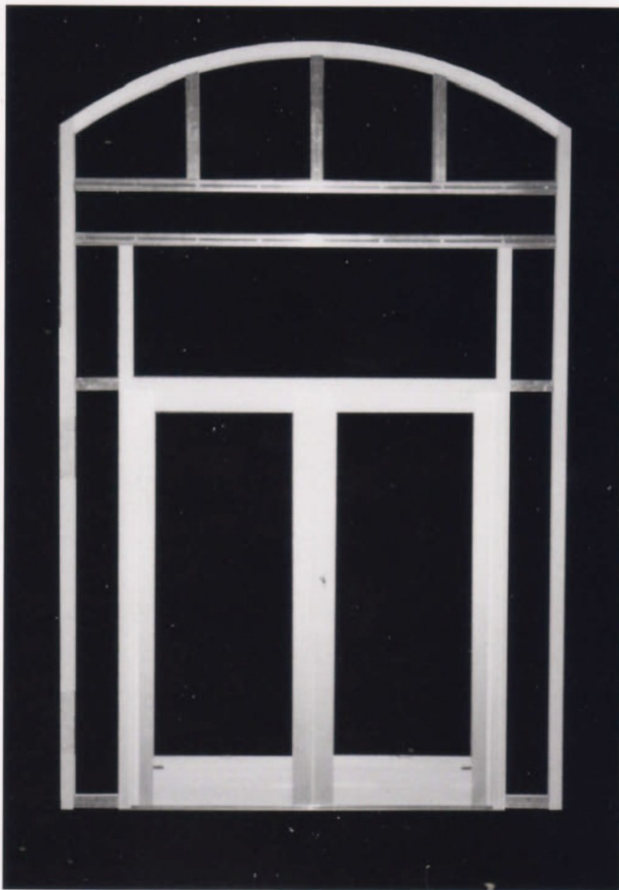
ACTION

BULLET RESISTANT

263 Union Boulevard, West Islip, New York 11795 ■ 631 422-0888 800 962-8088 Fax: 631 422-4498 ■ <http://www.actionbullet.com>

SECURITY STOREFRONTS

Bullet Resistant Level IV Door



Bullet Resistant Level IV Door with Radius Transom

Action Bullet Resistant Level IV Door Systems are designed and specifically engineered to provide maximum protection against ballistic attack and forced entry.

► Each door is manufactured with a specific job in mind. Standard and custom sizes are readily available with our standard hardware package.

► Specialty hardware including electric release systems and panic hardware are available options.

► You have a variety of glazing types to choose from. Action uses glass clad polycarbonates as its primary glazing.

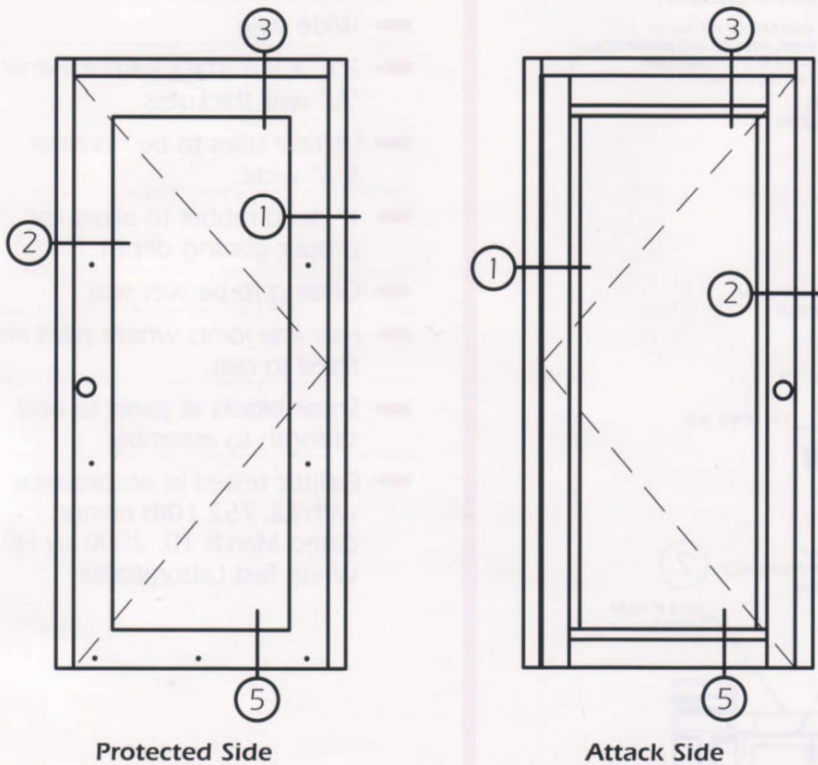
► The door and frame are available in mill finish, clear anodized, dark bronze anodized, black anodized, and painted finishes.

► Our opaque armor panel door can be finished in plastic laminate or aluminum skin.

► Style options: Full light, split light, light/opaque, opaque.

ACTION
BULLET RESISTANT

Bullet Resistant Level IV Door



Notes:

1. BR Level 4 Full Vision Door.

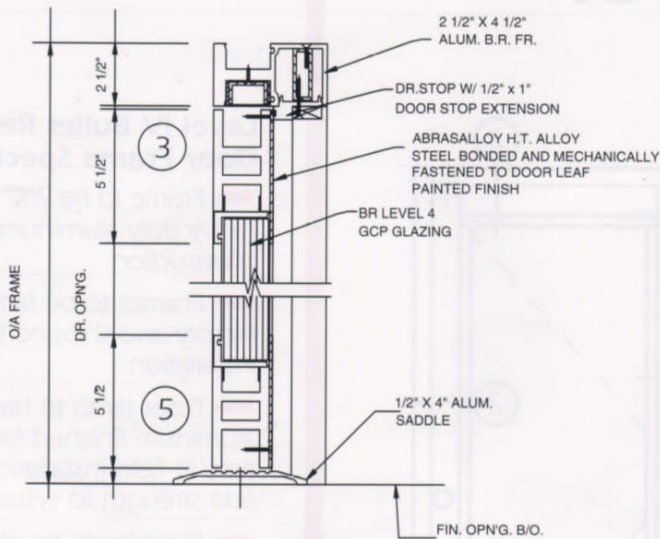
Standard Hardware:

1. Roton 780-112 Fully Mortised Continuous Hinge.
2. Medico 11-040 MS Deadbolt.
3. Standard Push/Pulls.
4. Dor-O-Matic SC90 Closer.

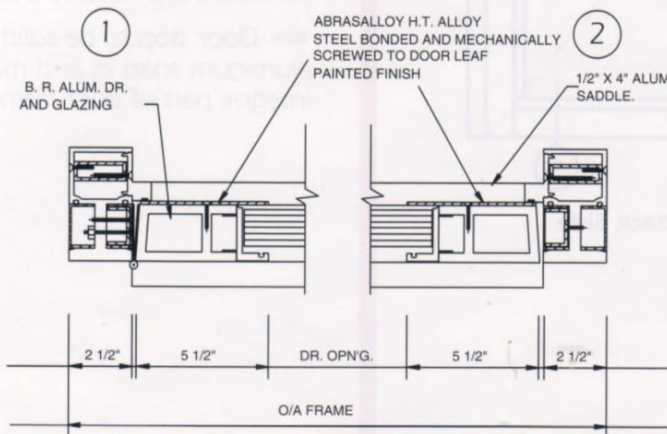
Level IV Bullet Resistant Door Frame Specifications

- Frame to be 2 1/2" x 5 1/2" heavy duty aluminum construction
- Frames to be fabricated at factory and shipped for field installation
- Door jamb to have 1/2" solid aluminum finished face to save time in field installation and to add strength to system.
- Door jamb, head and transom bar to be composed of bullet resistant screw spline system consistent with level IV threat
- Door stop to be solid aluminum snap in and made an integral part of door frame.

Bullet Resistant Level IV Door



Head And Saddle Detail



Door Jamb Detail

Specifications:

- Heavy duty aluminum and abrasalloy steel construction.
- Ballistic steel skin on protected side.
- Custom designed.
- Wide style.
- 2 1/2" x 5 1/2" thick with minimal 7/16" wall thickness.
- Vertical stiles to be nominal 5 1/2" wide.
- 1" deep rabbet to allow for proper glazing depth.
- Glazing to be wet seal.
- Hair line joints where stiles are fitted to rails.
- Shear blocks at joints to add strength to assembly.
- Ballistic tested in accordance with UL 752 10th edition dated March 10, 2000 by HP White Test Laboratories.

SPECIFICATIONS

BR 450 – 4 UL Level IV Door

► **General Description**

Work included: Furnish all necessary materials, labor, and equipment for the complete installation of aluminum door and framing as shown on the drawings and specified herein (it is recommended that specifier include related items, ie: glass sealants, entrances, etc. when possible.) All framing members shall conform to the exact profiles, and configurations.

Work not included: Structural support of the framing system, flashing, receptors, closures. (Other exclusions by specifier)

Related Work: (see specifier list)

► **Quality Assurance**

Drawings and specifications are based on BR 450-4 Door as manufactured by Action Bullet Resistant, Inc.

Other manufacturers requesting approval to bid their products as an equal must submit the following information fifteen days prior to closing of bidding.

1. Test reports by a certified test lab showing compliance with UL 752 standards to meet threat level 4 .30 caliber rifle.
2. A sample door rail section (specifier to determine sample size) as per architects requirements.

(It is recommended that specifier specifies glass and glazing in section 08800. Action recommends that the door manufacturer provide the glazing if specified in this section.)

► **Door Construction**

1. Aluminum Extrusions: shall be extruded from prime billet. Alloy and temper to be equivalent to 6005-T5 (Tensile strength- ksi with minimum ultimate of 38.0 and minimum yield of 35.0).
2. Heavy duty aluminum, wide style.
3. Doors to be 2 1/2" thick with 3/8" aluminum minimum wall thickness and 3/16" hardened steel glass stop plate on protected side.
4. Horizontal head rails to be nominal 5 1/2" wide.
5. Vertical stiles to be nominal 5 1/2" wide.
6. Glazing pocket to be 1 1/4" deep for proper bite.
7. Glazing gasket to be neoprene.
8. Doors to have tight hairline joints where rails are fitted against stiles.
9. All joint connections to have anti-rotation clips to provide rigid assembly in conjunction with 3/8" threaded rod.

► **Door Frame**

1. Aluminum Extrusion: shall be extruded from prime billet. Alloy and temper to be equivalent to 6005-T5 (tensile strength – ksi with a minimum ultimate of 38.0 and minimum yield of 35.0).
2. Frame to be 2 1/2" x 4 1/2" aluminum tube with 3/16" minimum wall thickness and hardened steel armor infills.
3. Frames to be fully fabricated in the factory.
4. All joint connections to have 3/8" clips for a rigid assembly when installed.
5. Door stops to be snap-in integral part for extruded jamb shape.

SPECIFICATIONS

BR 450 – 4 UL Level V & VIII Door

► General Description

Work included: Furnish all necessary materials, labor, and equipment for the complete installation of aluminum door and framing as shown on the drawings and specified herein (it is recommended that specifier include related items, ie: glass sealants, entrances, etc. when possible.) All framing members shall conform to the exact profiles, and configurations.

Work not included: Structural support of the framing system, flashing, receptors, closures. (Other exclusions by specifier)

Related Work: (see specifier list)

► Quality Assurance

Drawings and specifications are based on BR 450-5 & 8 Door as manufactured by Action Bullet Resistant, Inc.

Other manufacturers requesting approval to bid their products as an equal must submit the following information fifteen days prior to closing of bidding.

1. Test reports by a certified test lab showing compliance with UL 752 standards to meet threat level 5 & 8, 7.62 mm rifle.
2. A sample door rail section (specifier to determine sample size) as per architects requirements.

(It is recommended that specifier specifies glass and glazing in section 08800. Action recommends that the door manufacturer provide the glazing if specified in this section.)

► Door Construction

1. Aluminum Extrusions: shall be extruded from prime billet. Alloy and temper to be equivalent to 6005-T5 (Tensile strength- ksi with minimum ultimate of 38.0 and minimum yield of 35.0).
2. Heavy duty aluminum, wide style.
3. Doors to be 2 1/2" thick with 3/8" aluminum minimum wall thickness and 3/16" hardened steel glass stop plate on protected side.
4. Horizontal head rails to be nominal 5 1/2" wide.
5. Vertical stiles to be nominal 5 1/2" wide.
6. Glazing pocket to be 1 1/4" deep for proper bite.
7. Glazing gasket to be neoprene.
8. Doors to have tight hairline joints where rails are fitted against stiles.
9. All joint connections to have anti-rotation clips to provide rigid assembly in conjunction with 3/8" threaded rod.

► Door Frame

1. Aluminum Extrusion: shall be extruded from prime billet. Alloy and temper to be equivalent to 6005-T5 (tensile strength – ksi with a minimum ultimate of 38.0 and minimum yield of 35.0).
2. Frame to be 2 1/2" x 4 1/2" aluminum tube with 3/16" minimum wall thickness and hardened steel armor infills.
3. Frames to be fully fabricated in the factory.
4. All joint connections to have 3/8" clips for a rigid assembly when installed.
5. Door stops to be snap-in integral part for extruded jamb shape.

SPECIFICATIONS

BR 450 – 4 UL Level V & VIII Door

► **Door Frame** (standard)

1. Push-pull handles.
2. Exposed overhead closer #5 with back check.
3. Roton 780-112 full mortised continuous hinge.
4. Medico 11-040 Maximum security dead bolt lock. (optional hardware available.)

(Finishes as specified on drawings)

► **Door Frame**

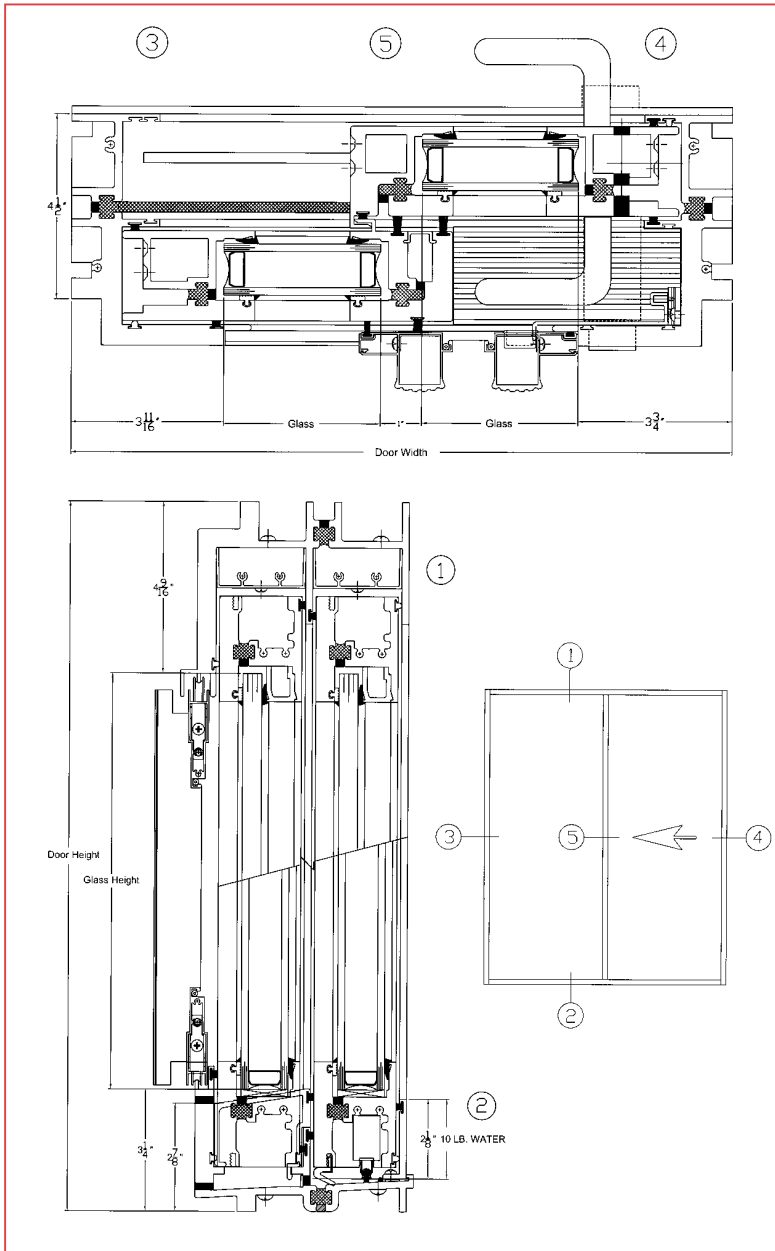
1. Bullet resistant glazing shall be specified by the end user consistent with threat level 5 & 8.
2. Glazing material for bullet resistant use shall be of a type listed by Underwriters Laboratories standard 752 for bullet resistance and/or as approved by H.P. White Test Laboratories for specified bullet resistance.

► **Limitations**

Action Bullet Resistant BR 450-5 & 8 Door is designed to meet the UL standard 752 threat level 5 & 8. It is recommended that each end user determine their ballistic threat and identify the correct product to resist that threat.

Bullet Resistant Exterior Horizontal Sliding Door BR 250 ESD Level III

(Also Available in BR UL Level IV)



Action Bullet Resistant Level III exterior horizontal doors are designed and specifically engineered to provide maximum protection against ballistic attack as well as wind, and water infiltration.

- The door is a thermal break design.
- Heavy duty aluminum construction without the need for ballistic infills.
- 5^{5/8}" x 4^{3/8}" framing system
- You have a variety of ballistic glazing types to choose from; laminated glass, laminated polycarbonate, glass clad polycarbonates, and air gap glass/polycarbonates.
- The door is a screw spline design, available in clear anodized, dark bronze anodized and special order painted finishes.
- The doors ship fabricated and pre glazed ready for installation.
- Ballistic tested to UL 752 level III Tenth Edition dated March 10, 2000.
- Test to: ASTM E 283-91, ASTM E 331-00, ASTM 330-96

SPECIFICATIONS

BR 250 ESD Level III Exterior Horizontal Slide Door

► General Description

Work Included: Furnish all necessary materials, labor and equipment for the complete installation of aluminum horizontal slide door and framing as shown on the drawings and specified herein (it is recommended that specifier include related items, i.e.: glass sealants, surrounding frames, etc. when possible.) All framing members shall conform to the exact profiles, and configurations.

Work not included: Structural support of the framing system. (Other exclusions by specifier)

Related Work: (see specifier list)

► Quality Assurance

Drawings and specifications are based on BR 250 Horizontal Slide Door as manufactured by Action Bullet Resistant, Inc.

Other manufacturers requesting approval to bid their products as an equal must submit the following information fifteen days prior to closing of bidding.

1. Test reports by a certified test lab showing compliance with UL 752 standards to meet threat level III Super Power Small Arms.
2. A sample horizontal slide rail section (specifier to determine sample size) as per architects requirements.

(It is recommended that specifier specify glass and glazing in section 08800. Action recommends that the window manufacturer provide the glazing if specified in this section.)

► Horizontal Slide Window Construction

1. Aluminum Extrusions: shall be extruded from prime billet. Alloy and temper to be equivalent to 6005-T5 (Tensile strength - ksi with a minimum ultimate of 38.0 and minimum yield of 35.0).
2. Horizontal Fixed and Slide Panel to be 2¹/₈" thick with 1¹/₈" minimum wall thickness combined with 1¹/₂" wall thickness.

3. Horizontal head rails to be nominal 5¹/₂" wide.
4. Horizontal base rail to be nominal 5¹/₂" wide.
5. Vertical stiles to be nominal 2¹/₈" wide screw spline system for reglazing.
6. Glazing pocket to be 1⁵/₁₆" deep for proper bite.
7. Glazing gasket to be neoprene.
8. Horizontal Slide Doors to have tight hairline joints where rails are fitted against stiles.
9. Horizontal Slide Doors aluminum rails and stiles are bullet resistant in themselves without the need for bullet resistant filler material.

► Horizontal Slide Door Hardware (standard)

1. Adams Rite 1850 M/S Deadlock with 1¹/₂" backset with hook bolt.
2. Extension keyed cylinder on exterior; standard key cylinder or thumb turn on interior.
3. Folger Adams keyway cover.
4. Back to back offset wire pull handle.
5. Builders Hardware roller housing TA-36 series.
6. Starline stainless steel track cover. (Finishes as specified on drawings.)

► Window Frame

1. Bullet resistant glazing shall be specified by the end user and consistent with threat level III.
2. Glazing material for bullet resistant use shall be of a type listed by Underwriters Laboratories standard 752 for bullet resistance and or as approved by H.P. White Test Laboratories for specified bullet resistance.

► Limitations

Action Bullet Resistant, Inc. BR 250 Horizontal Door is designed to meet the UL standard 752-threat level III. It is recommended that each end-user determine their ballistic threat and identify the correct product to resist that threat.



BULLET RESISTANT

263 Union Boulevard, West Islip, New York 11795 ■ 631 422-0888 800 962-8088 Fax: 631 422-4498 ■ A Division of Action Storefronts, Inc.

<http://www.actionbullet.com>

SECURITY STOREFRONTS

Bullet Resistant Vertical Slide Window Level III



Vertical Slide Window. Open customer friendly atmosphere.



Vertical Slide Window Transaction Cabinet with Deep Pass Thru Deal Tray Drawer.

Action Bullet Resistant Level III Vertical Slide Windows are designed and specifically engineered to provide maximum protection against ballistic attack.

➤ The vertical slide window affords a more wide open feeling creating a customer friendly atmosphere without sacrificing security.

➤ You will be pleasantly surprised to find how light the counter balance sash system makes the ballistic glazing feel.

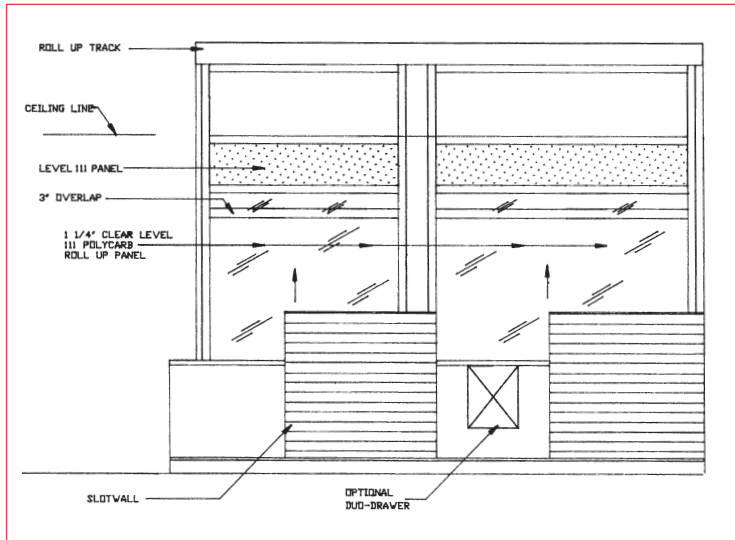
➤ It was designed to be incorporated into our bullet resistant transaction counters.

➤ The vertical sliding window is available in mill finish, clear anodized, dark bronze anodized, black anodized, and painted finishes.

➤ Style Options: Full light, split light, light/opaque, opaque, double doors, sidelights, transoms.



Bullet Resistant Vertical Slide Window Level III



BR Level III Vertical Slide Window



Vertical Slide with Deep Pass Thru Drawer Deal Tray

Specifications:

- Heavy duty aluminum construction.
- The system is bullet resistant in itself without the need for bullet resistant filler materials.
- Custom designs to your individual requirements.
- Ball bearing sash weight counter balance design.
- 2 1/2" x 4 1/2" framing system at the head assembly and vertical rails.
- 1 3/4" glazing pocket to receive appropriate security materials.
- Glazing gasket to be vinyl.
- Tight hairline joints horizontal to vertical legs.
- Frames to be fabricated at factory and shipped for field installation.

Level III BR Horizontal Slide Glazing Specifications:

- Glazing shall be 1 1/4" laminated polycarbonate consistent with level III threat level.
- Bullet resistant glazing materials shall be of a type listed by Underwriters' Laboratories in Standard 752 for bullet resistant and or as approved by H.P. White Laboratory for level III bullet resistance.



BULLET RESISTANT

263 Union Boulevard, West Islip, New York 11795 ■ 631 422-0888 800 962-8088 Fax: 631 422-4498 ■ A Division of Action Storefronts, Inc.

<http://www.actionbullet.com>

SECURITY STOREFRONTS

Bullet Resistant Horizontal Slide Window Level III



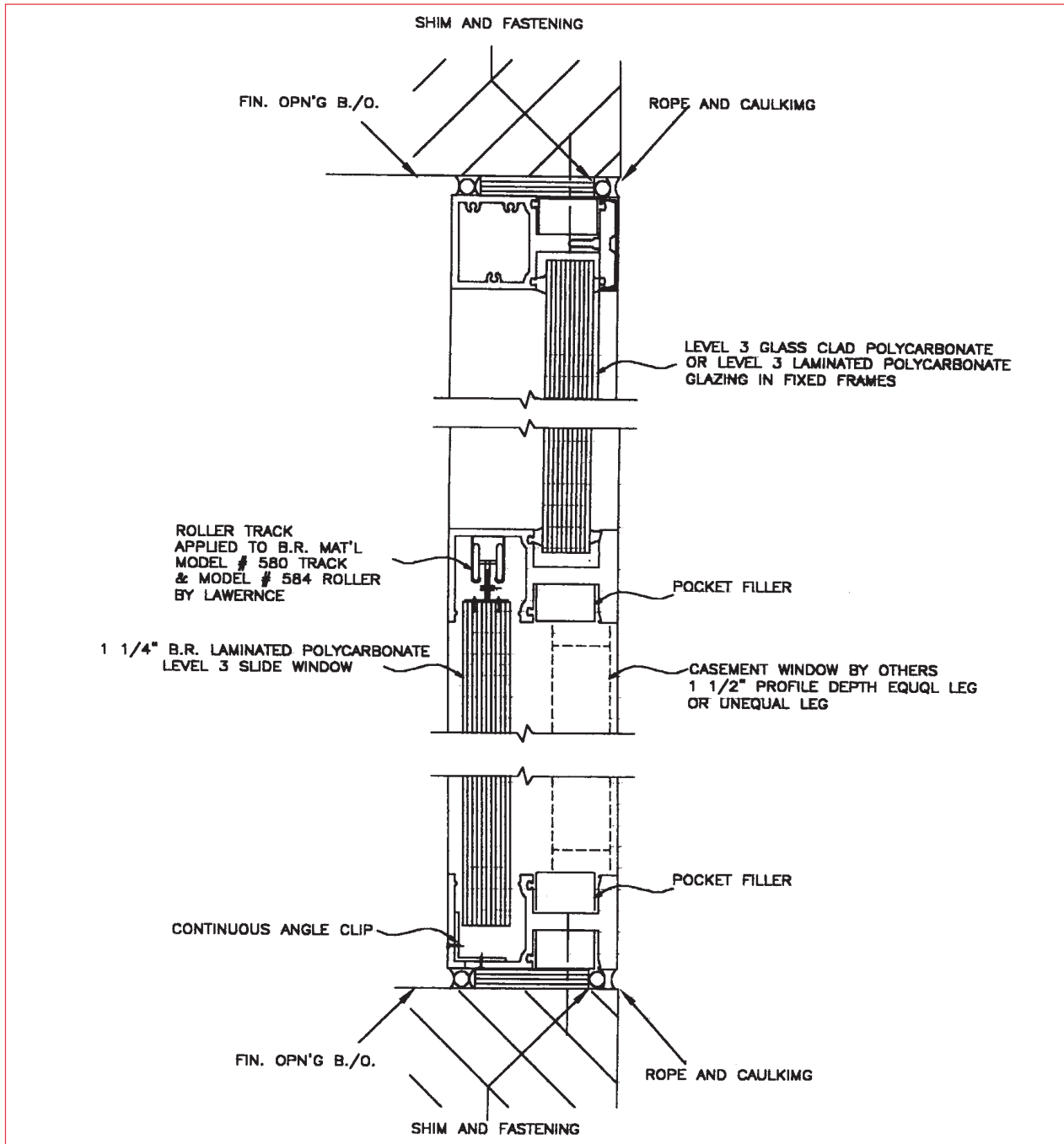
Horizontal Slide Window Transaction Counter System with Deal Tray and Bullet Resistant Speak Thru Cover

Action Bullet Resistant Level III Horizontal Slide Windows are designed and specifically engineered to provide maximum protection against ballistic attack.

- It was designed to be incorporated into our bullet resistant transaction counters.
- You have a variety of glazing types to choose from.
- The sliding window is available in mill finish, clear anodized, dark bronze anodized, black anodized, and painted finishes.



Horizontal Slide Window



A Division of Action Storefronts, Inc.

263 Union Blvd. West Islip, NY 11795 ☐ 631 422-0888 800 962-8088 Fax: 631 422-4498 ☐ www.actionbullet.com

Bullet Resistant Horizontal Slide Window Level III



Horizontal Slide Window with Deal Tray



Horizontal Slide Window with Deal Tray

Level III BR Horizontal Slide Window Specifications:

- ▶ Heavy duty aluminum construction.
- ▶ The system is bullet resistant in itself without the need for bullet resistant filler materials.
- ▶ Custom designs to your individual requirements.
- ▶ 2¹/₂" x 4¹/₂" framing system at the head assembly and vertical rails.
- ▶ 1³/₄" glazing pocket to receive appropriate security materials.
- ▶ Glazing gasket to be vinyl.
- ▶ Tight hairline joints horizontal to vertical legs.
- ▶ Frames to be fabricated at factory and shipped for field installation.
- ▶ Ballistic tested in accordance with UL 752 8th edition dated January 28, 1991 by HP White Test Laboratories.

Level III BR Horizontal Slide Glazing Specifications:

- ▶ Glazing shall be 1¹/₄" laminated polycarbonate and consistent with level III threat level.
- ▶ Bullet resistant glazing materials shall be of a type listed by Underwriters' Laboratories in Standard 752 for bullet resistant and or as approved by H.P. White Laboratory for level III bullet resistance.

SPECIFICATIONS

BR 250 ISW Level III Interior Horizontal Slide Window

General Description

Work Included: Furnish all necessary materials, labor and equipment for the complete installation of aluminum horizontal slide window and framing as shown on the drawings and specified herein (it is recommended that specifier include related items, i.e.: glass sealants, surrounding frames, etc. when possible.) All framing members shall conform to the exact profiles, and configurations.

Work not included: Structural support of the framing system. (Other exclusions by specifier)

Related Work: (see specifier list)

Quality Assurance

Drawings and specifications are based on BR 250 Horizontal Slide Window as manufactured by Action Bullet Resistant, Inc.

Other manufacturers requesting approval to bid their products as an equal must submit the following information fifteen days prior to closing bidding.

1. Test reports by a certified test lab showing compliance with UL 752 standards to meet threat level III Super Power Small Arms.
2. A sample horizontal slide rail section (specifier to determine sample size) as per architects requirements.

Horizontal Slide Window Construction

1. Aluminum Extrusions: shall be extruded from prime billet. Alloy and temper to be equivalent to 6005-T5 (Tensile strength - ksi with a minimum ultimate of 38.0 and minimum yield of 35.0).
2. Horizontal Slide Panel to be 1 1/4" BR level III - laminated polycarbonate mar resistant coated.

3. Horizontal head rails to be nominal 2 1/2" x 4 1/2"
4. Horizontal base rail to be 1 1/2" x 2 3/8" BR 100 level III closed sash.
5. Vertical jambs to be nominal 2 1/2" x 4 1/2"
6. Glazing pocket to be 7/8" deep for proper bite.
7. Glazing gasket to be neoprene.
8. Horizontal Slide Window to have tight hairline joints where rails are fitted against stiles.

Interior Horizontal Slide Window Hardware (standard)

1. Emtek 2032 plunger style key window lock handle.
2. Lawrence Hardware heavy duty hanger #584 roller assembly
3. Lawrence Hardware aluminum box track #580

(Finishes as specified on drawings.)

Window Frame

1. Glazing material for bullet resistant use shall be of a type listed by Underwriters Laboratories standard 752 for bullet resistance and or as approved by H.P. White Test Laboratories for specified bullet resistance.

Limitations

Action Bullet Resistant, Inc. BR 250 Horizontal Window is designed to meet the UL standard 752-threat level III. It is recommended that each end-user determine their ballistic threat and identify the correct product to resist that threat.

Security Enclosures



Vertical Slide Security Enclosure



Fixed Window Security Enclosure

Fully enclosed transaction areas:

- BOOSTS EMPLOYEE MORALE
- INCREASES PRODUCTIVITY
- PROVIDES FOR A SAFER ENVIRONMENT
- ACTS AS A CRIME DETERRENT
- MAINTAINS A CUSTOMER FRIENDLY ATMOSPHERE



BULLET RESISTANT

263 Union Boulevard, West Islip, New York 11795 ■ 631 422-0888 800 962-8088 Fax: 631 422-4498 ■ A Division of Action Storefronts, Inc.

<http://www.actionbullet.com>

SECURITY STOREFRONTS

Security Transaction Counter Systems



Security Transaction Counter Systems are designed to fit your needs

Action Bullet Resistant Transaction Counter Systems are ideally suited for installations at:

- ▶ CHECK CASHING FACILITIES
- ▶ CONVENIENCE STORES
- ▶ CREDIT UNIONS
- ▶ FINANCIAL INSTITUTIONS
- ▶ GAS STATIONS
- ▶ HOSPITALS
- ▶ HOTEL/MOTEL LOBBIES
- ▶ MEDICAL CLINICS
- ▶ RECEPTION AREAS
- ▶ TICKET SALES COUNTERS





SECURITY STOREFRONTS

SPECIFICATIONS

Bullet Resistant Bandit Barriers

► Product Description

Action Bullet Resistant bandit barrier workstations are designed to defeat ballistic assaults levels 1,2 and 3. Glazing materials are tested to Underwriter Laboratories standard 752. Unobstructed vision, voice transmission, and deal trays for currency exchange are incorporated in a fixed partition. Several workstations can be interlocked together to enclose an entire work area. Action Bullet Resistant doors, package passers, bullet resistant fiberglass panels and other accessories can be incorporated for a complete package.

► Construction

Prefabricated interlocking bullet resistant acrylic and laminated polycarbonate glazing panels are used to meet the specified security requirements. Every workstation is custom fabricated to fit existing cabinets with a full array of hardware and accessories to choose from. In house engineering, and consulting services are provided to assist in design to complete the barrier.

► Specifications

Bullet Resistant Bandit Barriers shall be as manufactured by Action Bullet Resistant, West Islip, NY. Glazing shall be of a type tested to Underwriter Laboratories standard 752 for ballistic resistance. Aluminum channel finish to customer specifications are available in clear anodized, bronze anodized or painted.

► Limitations

Action Bullet Resistant Bandit Barriers are designed to meet the Underwriter Laboratories Inc. standard 752 levels 1,2 and 3. Each end user should determine their ballistic threat and identify the correct product to resist that threat.

ACTION

BULLET RESISTANT

263 Union Boulevard, West Islip, New York 11795 ■ 631 422-0888 800 962-8088 Fax: 631 422-4498 ■ <http://www.actionbullet.com>

SECURITY STOREFRONTS

Bullet Resistant Bandit Barriers



Bank Teller Window



Check Cashing Facility

Design

- Custom Fabricated to fit any workstation
- Available in Levels 1, 2, and 3.
- Delivered ready for installation.
- Tested Bullet Resistant Materials. Tested to UL 752.
- Available with Voice port or speak around system
- Unobstructed vision.

Commonly Used in:

- Banks
- Convenience Stores
- Food Service Stores
- Check Cashing Facilities
- Police Stations
- At Risk Facilities

ACTION

BULLET RESISTANT



BULLET RESISTANT

263 Union Boulevard, West Islip, New York 11795 ■ 631 422-0888 800 962-8088 Fax: 631 422-4498 ■ A Division of Action Storefronts, Inc.

<http://www.actionbullet.com>

SECURITY STOREFRONTS

Bullet Resistant Parcel Pass-Thru



RU300 Parcel Pass Thru. Tested to UL 752 Level III 9th edition. Commonly used in post offices and convenience stores.

Action Bullet Resistant Parcel Pass Thru has the option of being built to defeat handgun ballistic assaults to U.L. 752 standards levels I and III.

► The locking bar mechanism provides single door operation allowing packages to be passed through the barrier without a breach of security.

► **Standard Sizes:**
24" wide by 48" high, and
45" wide by 48" high.

► Available in mill, clear anodized, dark bronze anodized, and painted finishes.

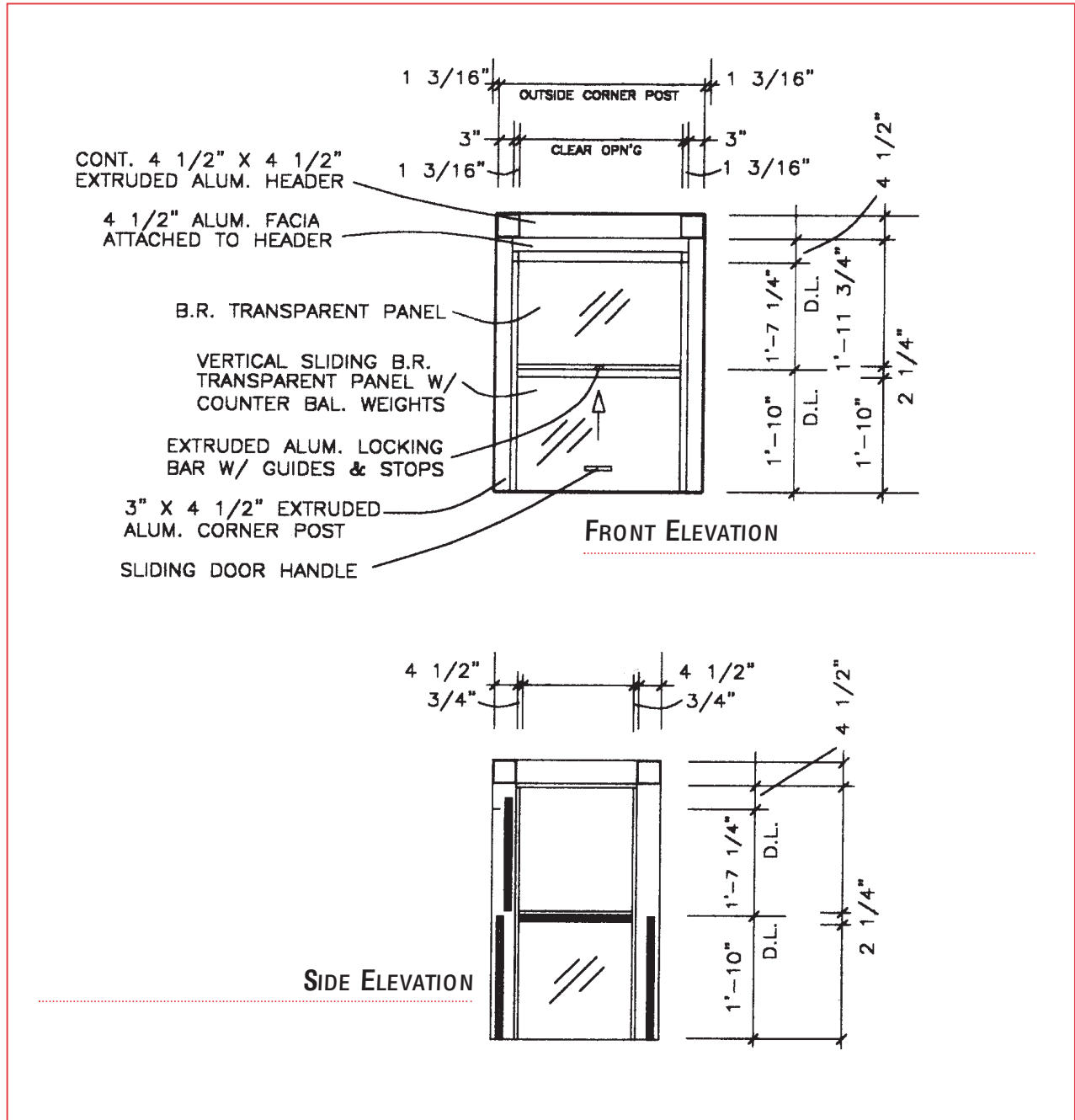
► **Bullet Resistant Glazing Options:**
UL Level I: 1 1/4" acrylic
1 1/4" sar coated acrylic
UL Level III: 1 1/4" laminated polycarbonate

► **Common Uses:**

- Post Office
- Convenience Stores
- Pawn Broker Shops
- Banks



Bullet Resistant Parcel Pass-Thru



A Division of Action Storefronts, Inc.

263 Union Blvd. West Islip, NY 11795 ☐ 631 422-0888 800 962-8088 Fax: 631 422-4498 ☐ www.actionbullet.com

SPECIFICATIONS

BR RU300 Parcel Pass Thru

➤ General Description

Work Included: Furnish all necessary materials, labor and equipment for the complete installation of Parcel Passer as shown on the drawings and specified herein.

All aluminum framing members shall conform to the exact profiles, configurations and hardware as shown on BR RU300 Parcel Passer drawings provided.

All components shall conform to Ballistic Threat Level III as defined by UL 752 for (SPSA) Super Power Small Arms.

Related Work: (see specifier list)

➤ Quality Assurance

Drawings and specifications are based on BR RU300 as manufactured by Action Bullet Resistant, a division of Action Storefronts Inc. Other manufacturers requesting approval to bid their product as an equal must submit the following information fifteen days prior to close of bidding:

1. Test reports by a certified test lab showing compliance with UL 752 standards to meet threat level III Super Power Small Arms.
2. A sample package pass thru assembly (specifier to determine sample size) as per architects requirements.

➤ Parcel Pass Thru Construction

1. Aluminum Extrusions: shall be extruded from prime billet. Alloy and temper to be equivalent to 6005-T5 (Tensile strength - ksi with a minimum ultimate of 38.0 and minimum yield of 35.0).
2. All components shall conform to Ballistic Threat Level III as defined by UL 752 for (SPSA) Super Power Small Arms.
3. All Hardware shall be as specified and as shown on BR RU300 drawings.
- D. All glazing materials shall be UL Ballistic Threat Level III Hygard BR 1250 HPW Level V ASTM F1233 Class V. Exposed edges will have a polished edge finish where required.
4. Counter Weights shall be lead weights of a dimension and weight to neutralize the weight of the Hygard 1250 vertical slide door panel.
5. Wire Rope supports shall be $\frac{3}{32}$ " diameter preformed wire rope with a minimum breaking strength of 1000 lbs.
6. Pulleys shall be 2 $\frac{1}{2}$ " diameter canvas phenolic with $\frac{1}{4}$ " oil impregnated bronze bushings.
7. Fasteners shall be stainless steel and concealed where possible. Exposed fasteners shall be tamper resistant security heads where their removal could jeopardize the ballistic integrity of the system.

A Division of Action Storefronts, Inc.

263 Union Blvd. West Islip, NY 11795 ☐ 631 422-0888 800 962-8088 Fax: 631 422-4498 ☐ www.actionbullet.com



SECURITY STOREFRONTS

► Finishes

1. All exposed aluminum shall have architectural class II clear anodized 204 finish.

1. Finish for hardware as specified on BR RU300 drawings.

► Fabrication

1. All components and aluminum extrusions shall be factory fabricated and pre fit to assure tight quality joinery. Field fabrication shall not be permitted.

2. All extruded aluminum to have tight hairline joints.

3. Offset tolerances of aluminum extrusions within end to end or butt joints shall not exceed .031."

4. When field conditions dictate the necessity for a required tolerance, field alteration may only be done with prior approval of the manufacturer.

► Installation

1. Contractor shall provide all labor, tools and equipment for a complete installation.

2. All work to be installed by contractors personnel trained in all aspects of ballistic scope requirements.

3. Final cleaning to be by this contractor after complete installation.

► Submittals

1. Complete shop drawings shall be submitted for approval.

2. Show full size details for all members, joints, anchorage and supports.

3. Finish samples shall be submitted for approval.

4. If required, submit component product data to substantiate that components are in accordance with specifications and design intent.

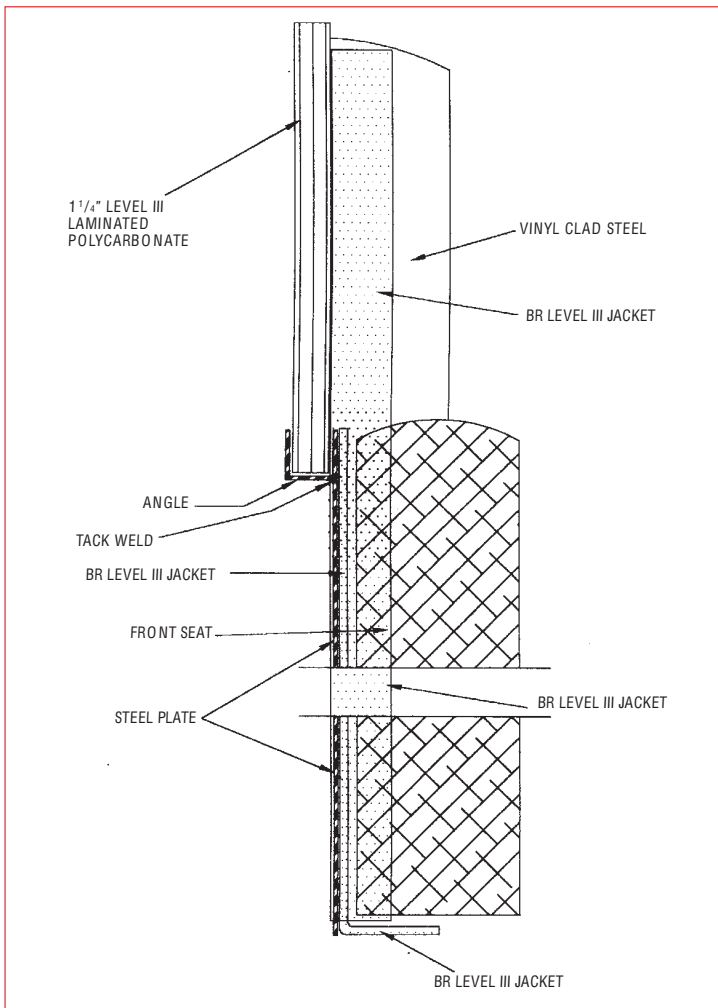
► Limitations

Action Bullet Resistant, a division of Action Storefronts, Inc. BR RU300 is designed to meet the UL standard 752 Threat Level III. It is recommended that each end user determine their ballistic threat and identify the correct product to resist that threat.

A Division of Action Storefronts, Inc.

263 Union Blvd. West Islip, NY 11795 ☐ 631 422-0888 800 962-8088 Fax: 631 422-4498 ☐ www.actionbullet.com

Bullet Resistant Auto Bandit Partition Level I or Level III



Bullet Resistant Auto Bandit Partition. Tested to UL 752 Level III.

Action Bullet Resistant Auto Bandit Partition can be constructed using materials designed to defeat ballistic assaults from Level I or Level III handguns. The auto Bandit Partition has been tested in accordance with UL 752.

OPTIONAL:

- Stainless steel bullet resistant speak through systems can be incorporated in the partition for natural voice transfer.
- Deal trays for money transfer can be constructed of clear vision Level I acrylic or Level III laminated polycarbonate.



SECURITY GLASS STOREFRONTS

Level I Electronic Communicator

Model #
ABRTT1AB1

Level III Electronic Communicator

Model #
ABRTT1AB3



Action Bullet Resistant's Electronic Communicator meets level 1 and 3 bullet resistant protection. Models are also available in 12V DC current. Unit fits ¼" inch to 1" inch glass thicknesses. Extension kits may be ordered separately for glass thicker than 1" inch. Requires a 3" inch to 4" inch hole for installation. Speak-thru is supplied complete with power supply, mounting hardware and instructions. Finish: Satin Aluminum.

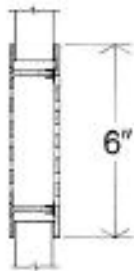




SECURITY GLASS STOREFRONTS

Level I Bullet Resistant Speak-Thru

Model #
ABR6-FR



SECTION

Action Bullet Resistant's Stainless Steel Speak-Thru will accommodate glazing thicknesses $\frac{1}{4}$ inch to $1 \frac{7}{8}$ inch. Speak-thru is designed for use with bullet resistant glass, acrylic or polycarbonate. A 5" inch hole is required for installation.





SECURITY GLASS STOREFRONTS

Level III Bullet Resistant Speak-Thru

Model #
ABRN666



Action Bullet Resistant's Stainless Steel Speak-Thru will accommodate glazing thicknesses 1 3/16 inch to 1 7/8 inch. If glazing thicknesses is less than 1 3/16 inch, an optional spacer ring is available. Speak-thru is designed for use with bullet resistant glass, acrylic or polycarbonate. A 5" inch hole is required for installation.

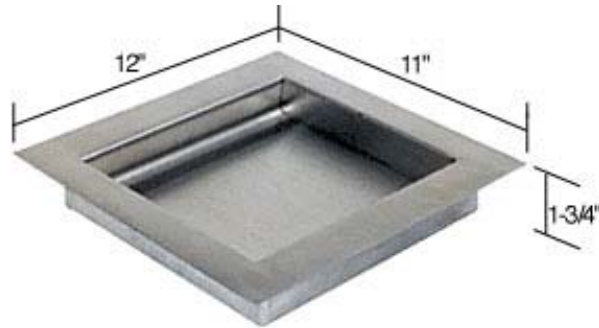




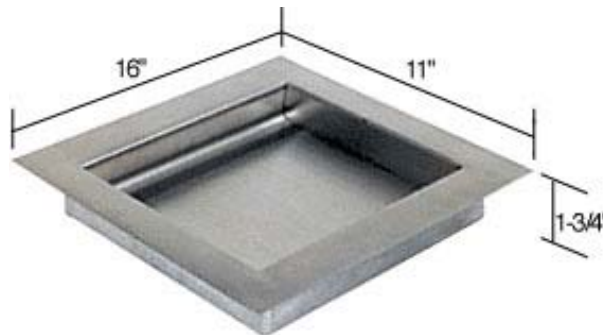
SECURITY GLASS STOREFRONTS

Level I Deal Tray

Model #
ABRT112



Model #
ABRT116



Non-Ricochet Bullet Resistant Deal Trays are available as Level 1 or Level 3. Deal trays are constructed of brushed stainless steel.

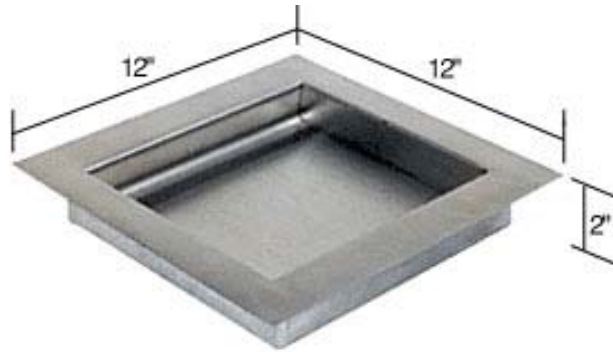




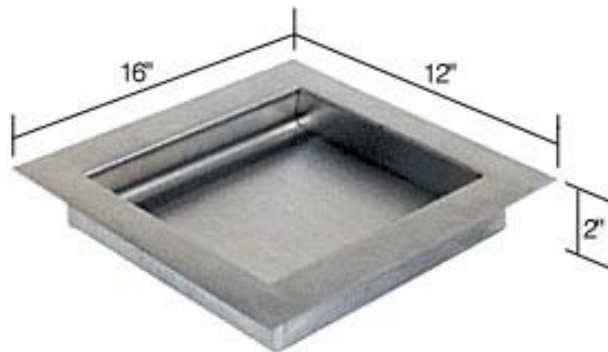
SECURITY GLASS STOREFRONTS

Level III Deal Tray

Model #
ABRT312



Model #
ABRT316



Non-Ricochet Bullet Resistant Deal Trays are available as Level 1 or Level 3. Deal trays are constructed of brushed stainless steel.

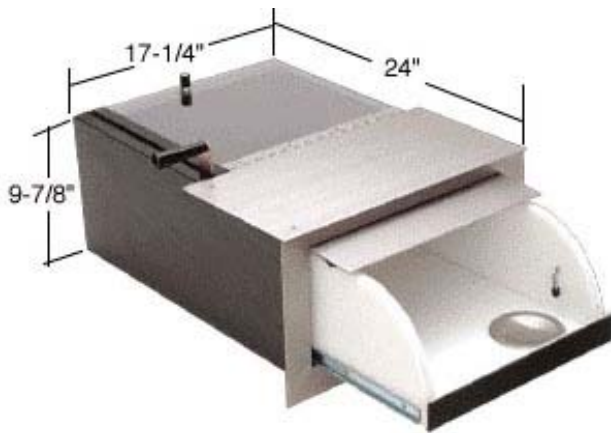




SECURITY GLASS STOREFRONTS

Level III Transaction Drawer

**Model #
ABRTD1724**



Action Bullet Resistant's weather-resistant, large capacity counter mounted transaction drawer are ideal for drive-up and walk-up transactions. When drawer is extended the stainless steel front panel pivots up. The push button locks the drawer lids when closed.

**Model #
ABR67331
ABR67330**

Action Bullet Resistant's pass thru with built in sound system require 110 volt power source within 5 ft of the unit. Inside capacity 6 1/8 inch height by 13 3/4 inch width.



Model	Width	Height	Depth	Features
ABR67331	24"	10"	28"	Built in sound system
ABR67330	24"	10"	28"	Pre wired speaker only





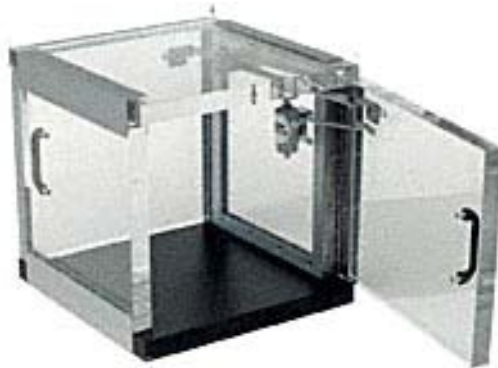
SECURITY GLASS STOREFRONTS

Level I Clear Package Receiver

Model #
ABRCPR1-Left Hand
ABRCPR2-Right Hand

Level III Clear Package Receiver

Model #
ABRCPR31-Left Hand
ABRCPR32-Right Hand



Action Bullet Resistant's Clear Package Receiver is designed for interior use only. The bottom is constructed of plywood and bullet resistant fiberglass panel, and then it is covered with a plastic laminate. The pass thru is manufactured with a special interlocking mechanism that allows only one door to be opened at a time. Right and left hand is determined by hinge placement.



Table of Contents

Bullet Resistant Hollow Metal Steel Doors iii

SBR Series Bullet Resistant Steel Doors & Frames

SBR Series Standard Product Listing SBR-1

SBR "F" Door & Frame SBR-2

SBR "V" Door & Frame SBR-3

SBR "N" Door & Frame SBR-4

SBR "G" Door & Frame SBR-5

SBR "FG" Door & Frame SBR-6

SBR "V" Door & Frame with Sidelite SBR-7

SBR "F" Door & Frame with Side Windows SBR-8

SBR "F" Door Pair with Frame SBR-9

SBR "F" Door & DS Split Frame SBR-10

SBR "F" Door & DS Slip-In Frame SBR-11

A1

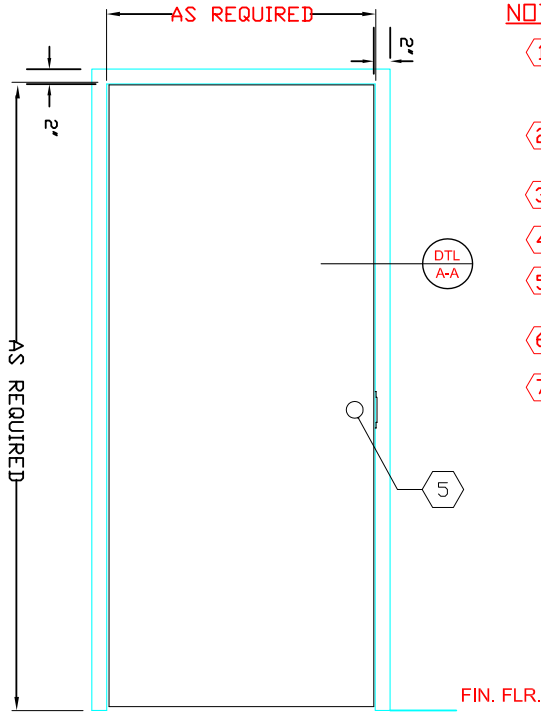
		JOB:			
REVISION # 4		TITLE: TABLE OF CONTENTS			
REVISION # 3		FINISH:		GLASS:	
REVISION # 2		DRAWN BY	SCALE:	DATE:	DWG NO.
REVISION # 1					
REVISIONS	DATE				



ACTION
BULLET RESISTANT
SECURITY STOREFRONTS

263 UNION BLVD. W. ISLIP, N.Y. 11795
PH:(631)422-0888 FAX:(631)422-4498
WWW.ACTIONBULLET.COM

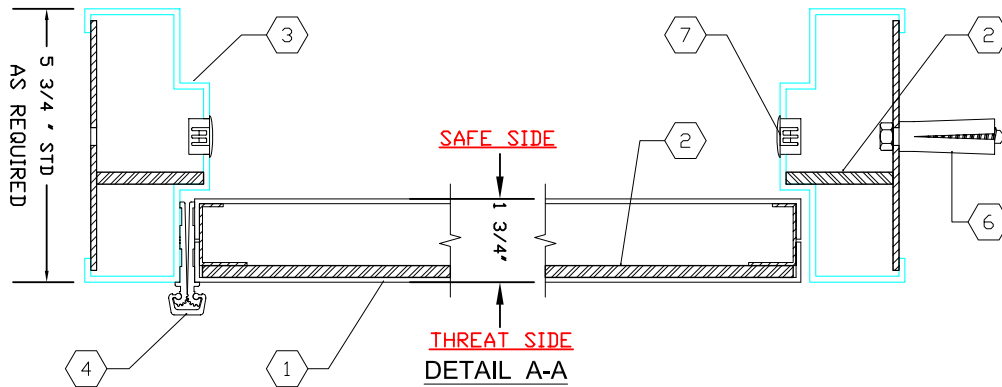
HOLLOW METAL DOOR & FRAME
BALLISTIC LEVELS 1-8 (UL-752)



NOTES :

- ① 16 GA. OR HEAVIER AS REQUIRED FOR BALLISTIC RATING, PRIME PAINTED STEEL DOOR. (STAINLESS STEEL OPTIONAL)
- ② BULLET RESISTANT MATERIAL, AS REQUIRED.
- ③ 12 GA. PRIMED STEEL FRAME.
- ④ CONTINUOUS GEARED HINGE.
- ⑤ HARDWARE AS SPECIFIED (BY OTHERS, UNLESS NOTED).
- ⑥ ANCHOR AS REQUIRED (BY OTHERS.)
- ⑦ PAINTABLE ANCHOR ACCESS HOLE PLUG.

ELEVATION



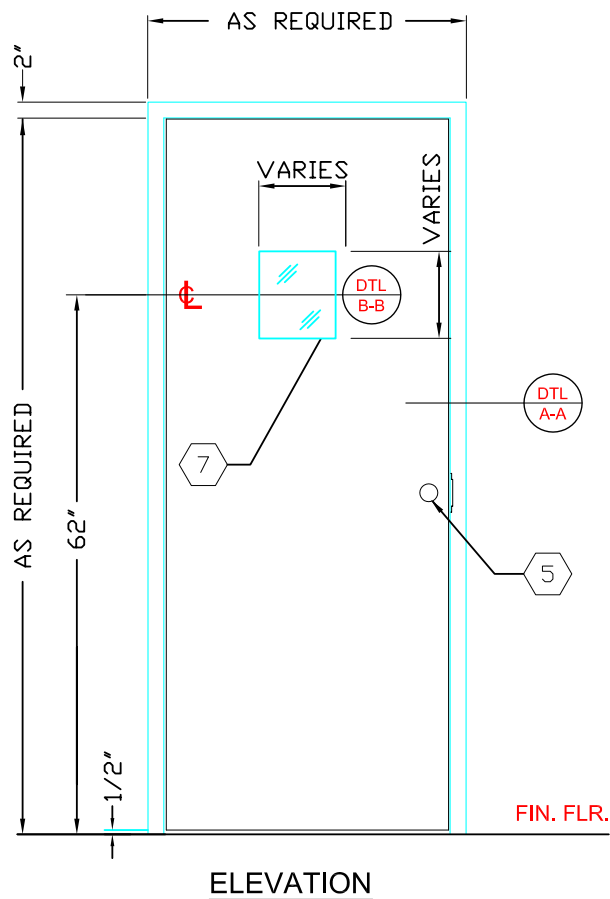
A2

REVISION # 4		JOB:	
REVISION # 3		TITLE: SBR-2	
REVISION # 2		FINISH: PRIMED PAINTED STEEL	GLASS:
REVISION # 1		DRAWN BY	SCALE: DATE: DWG. NO.
REVISIONS	DATE		



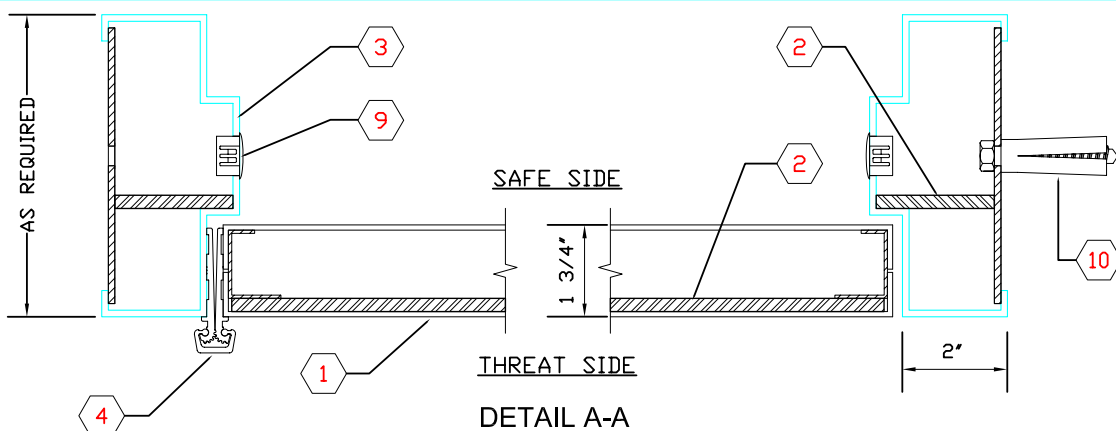
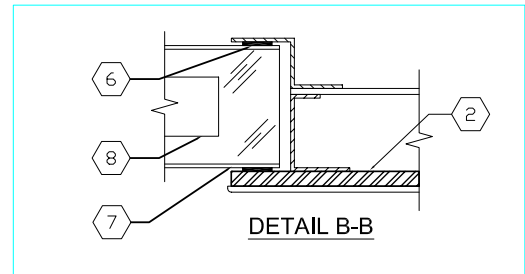
263 UNION BLVD. W. ISLIP, N.Y. 11795
PH:(631)422-0888 FAX:(631)422-4498
WWW.ACTIONBULLET.COM

HOLLOW METAL DOOR & FRAME WITH VISION WINDOW BALLISTIC LEVELS 1-8 (UL-752)



NOTES :

- ① 16 GA. OR HEAVIER AS REQUIRED FOR BALLISTIC RATING, PRIME PAINTED STEEL DOOR. (STAINLESS STEEL OPTIONAL)
- ② BULLET RESISTANT MATERIAL, AS REQUIRED.
- ③ 12 GA. PRIMED STEEL FRAME.
- ④ CONTINUOUS GEARED HINGE.
- ⑤ HARDWARE AS SPECIFIED (BY OTHERS, UNLESS NOTED).
- ⑥ GLAZING TAPE.
- ⑦ GLAZING - UL RATED BULLET RESISTANT.
- ⑧ NEOPRENE SETTING BLOCK AT SILL.
- ⑨ PAINTABLE ANCHOR ACCESS HOLE PLUG.
- ⑩ ANCHOR AS REQUIRED (BY OTHERS.)



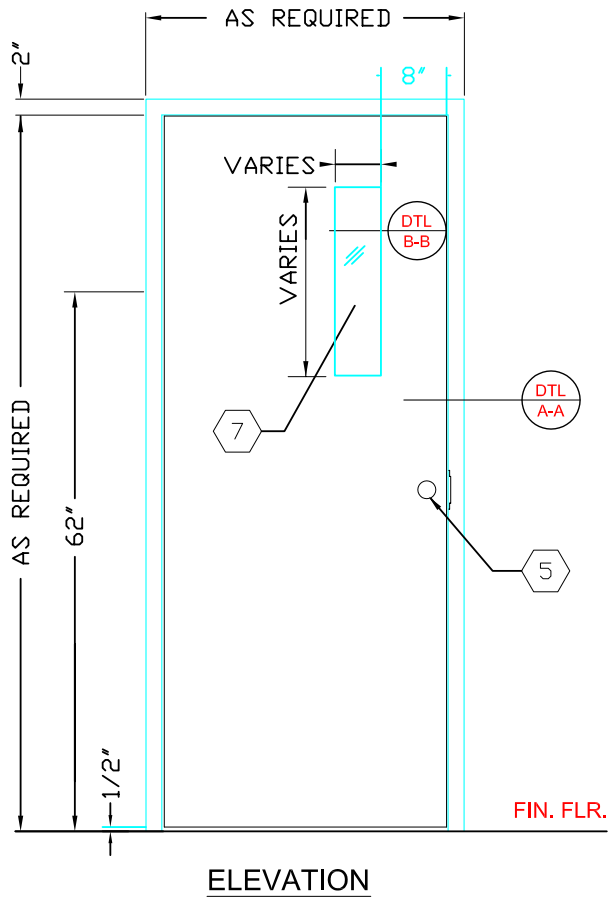
A3

REVISION # 4		JOB:	
REVISION # 3		TITLE: SBR-3	
REVISION # 2		FINISH: PRIMED PAINTED STEEL	GLASS:
REVISION # 1		DRAWN BY	SCALE: DATE: DWG. NO.
REVISIONS	DATE		

ACTION
BULLET RESISTANT
 SECURITY STOREFRONTS

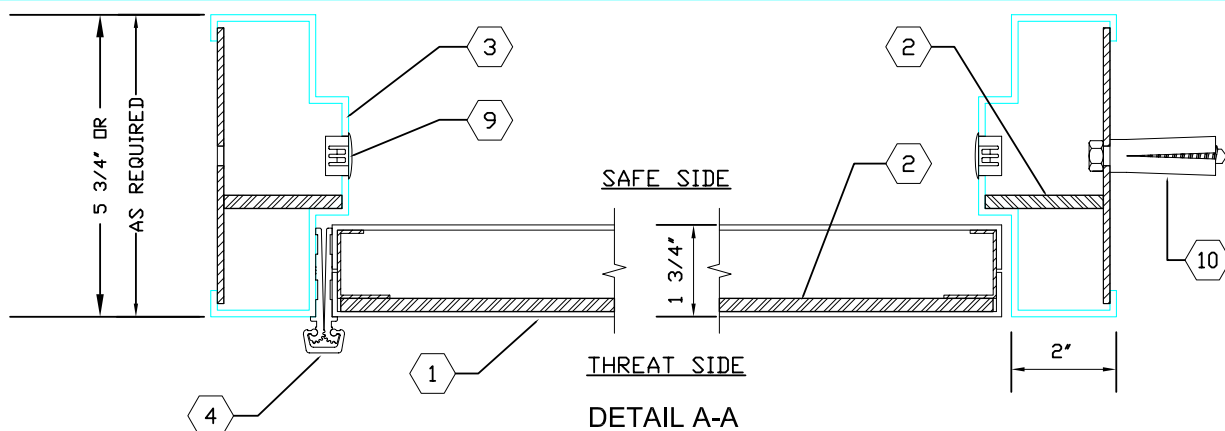
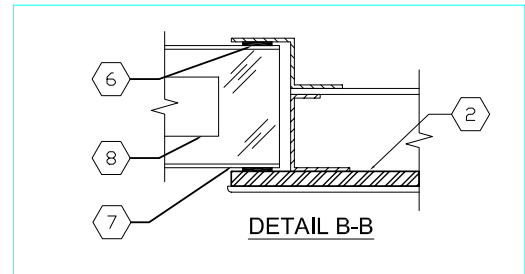
263 UNION BLVD. W. ISLIP, N.Y. 11795
 PH:(631)422-0888 FAX:(631)422-4498
 WWW.ACTIONBULLET.COM

HOLLOW METAL DOORS & FRAME WITH VISION LIGHT BALLISTIC LEVELS 1-8 (UL-752)



NOTES :

- ① 16 GA. OR HEAVIER AS REQUIRED FOR BALLISTIC RATING, PRIME PAINTED STEEL DOOR. (STAINLESS STEEL OPTIONAL)
- ② BULLET RESISTANT MATERIAL, AS REQUIRED.
- ③ 12 GA. PRIMED STEEL FRAME.
- ④ CONTINUOUS GEARED HINGE.
- ⑤ HARDWARE AS SPECIFIED (BY OTHERS, UNLESS NOTED).
- ⑥ GLAZING TAPE.
- ⑦ GLAZING - UL RATED BULLET RESISTANT.
- ⑧ NEOPRENE SETTING BLOCK AT SILL.
- ⑨ PAINTABLE ANCHOR ACCESS HOLE PLUG.
- ⑩ ANCHOR AS REQUIRED (BY OTHERS.)



A4

REVISION # 4		JOB:	
REVISION # 3		TITLE: SBR-4	
REVISION # 2		FINISH: PRIMED PAINTED STEEL	GLASS:
REVISION # 1		DRAWN BY: SCALE:	DATE: DWG. NO.
REVISIONS	DATE		

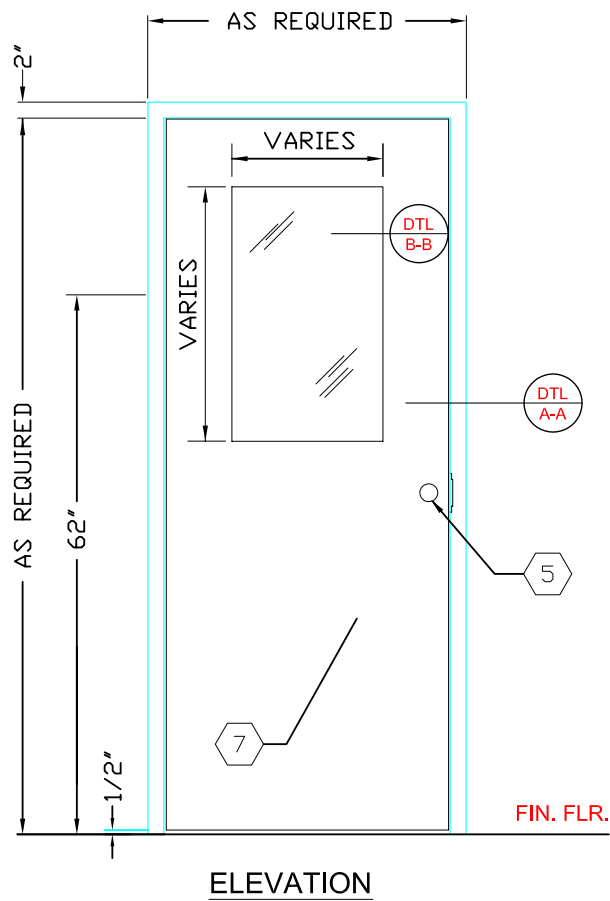
ACTION

BULLET RESISTANT

SECURITY STOREFRONTS

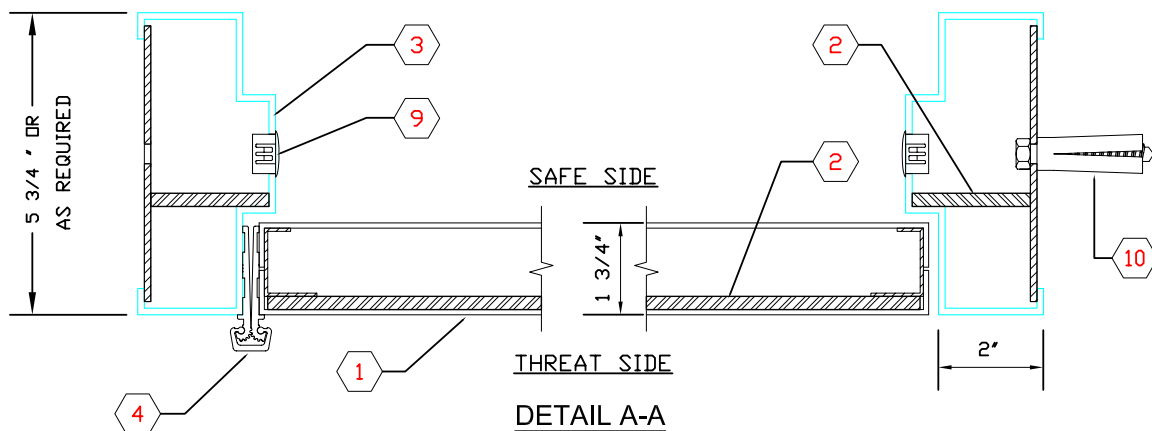
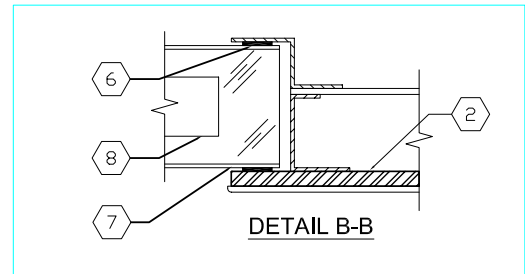
263 UNION BLVD. W. ISLIP, N.Y. 11795
PH:(631)422-0888 FAX:(631)422-4498
WWW.ACTIONBULLET.COM

HOLLOW METAL DOORS & FRAME WITH VISION LIGHT BALLISTIC LEVELS 1-8 (UL-752)



NOTES :

- ① 16 GA. OR HEAVIER AS REQUIRED FOR BALLISTIC RATING, PRIME PAINTED STEEL DOOR. (STAINLESS STEEL OPTIONAL)
- ② BULLET RESISTANT MATERIAL, AS REQUIRED.
- ③ 12 GA. PRIMED STEEL FRAME.
- ④ CONTINUOUS GEARED HINGE.
- ⑤ HARDWARE AS SPECIFIED (BY OTHERS, UNLESS NOTED).
- ⑥ GLAZING TAPE.
- ⑦ GLAZING - UL RATED BULLET RESISTANT.
- ⑧ NEOPRENE SETTING BLOCK AT SILL.
- ⑨ PAINTABLE ANCHOR ACCESS HOLE PLUG.
- ⑩ ANCHOR AS REQUIRED (BY OTHERS.)



A5

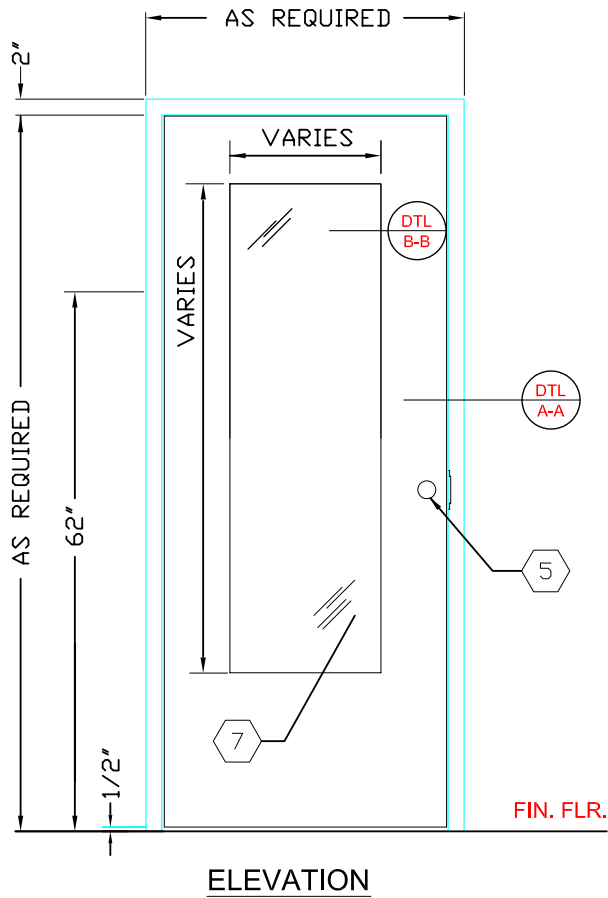
REVISION # 4		JOB:	
REVISION # 3		TITLE: SBR-5	
REVISION # 2		FINISH: PRIME PAINTED STEEL	GLASS:
REVISION # 1		DRAWN BY	SCALE: DATE: DWG. NO.
REVISIONS	DATE		

ACTION

BULLET RESISTANT
 SECURITY STOREFRONTS

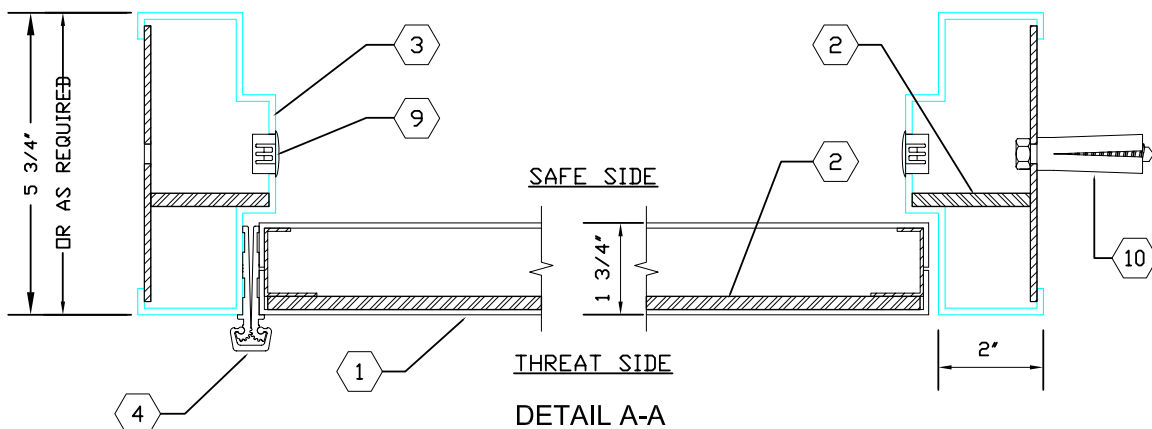
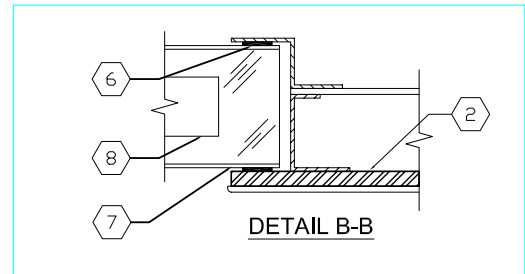
263 UNION BLVD. W. ISLIP, N.Y. 11795
 PH:(631)422-0888 FAX:(631)422-4498
 WWW.ACTIONBULLET.COM

HOLLOW METAL DOOR & FRAME WITH VISION LIGHT BALLISTIC LEVELS 1-8 (UL-752)



NOTES :

- ① 16 GA. OR HEAVIER AS REQUIRED FOR BALLISTIC RATING, PRIME PAINTED STEEL DOOR. (STAINLESS STEEL OPTIONAL)
- ② BULLET RESISTANT MATERIAL, AS REQUIRED.
- ③ 12 GA. PRIMED STEEL FRAME.
- ④ CONTINUOUS GEARED HINGE.
- ⑤ HARDWARE AS SPECIFIED (BY OTHERS, UNLESS NOTED).
- ⑥ GLAZING TAPE.
- ⑦ GLAZING - UL RATED BULLET RESISTANT.
- ⑧ NEOPRENE SETTING BLOCK AT SILL.
- ⑨ PAINTABLE ANCHOR ACCESS HOLE PLUG.
- ⑩ ANCHOR AS REQUIRED (BY OTHERS.)



A6

REVISION # 4		JOB:		SBR-6	
REVISION # 3		TITLE:			
REVISION # 2		FINISH: PRIMED PAINTED STEEL		GLASS:	
REVISION # 1		DRAWN BY		SCALE:	
REVISIONS	DATE			DATE:	DWG. NO.

ACTION

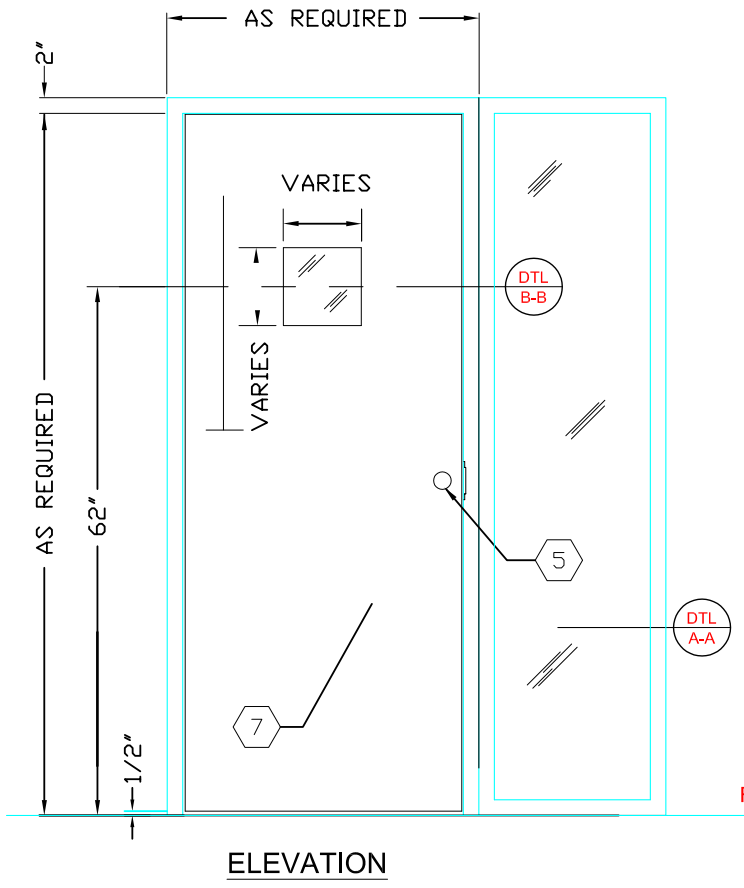
BULLET RESISTANT
 SECURITY STOREFRONTS

263 UNION BLVD. W. ISLIP, N.Y. 11795
 PH:(631)422-0888 FAX:(631)422-4498
 WWW.ACTIONBULLET.COM

HOLLOW METAL DOOR AND FRAME WITH VISION LIGHT AND SIDE LIGHT BALLISTIC LEVELS 1-8 (UL-752)

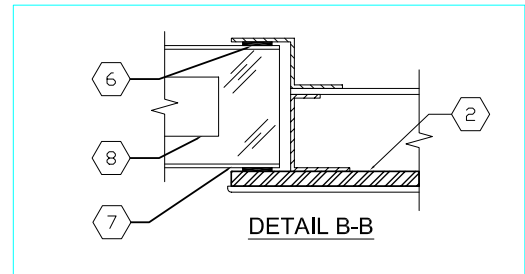
NOTES :

- ① 16 GA. OR HEAVIER AS REQUIRED FOR BALLISTIC RATING, PRIME PAINTED STEEL DOOR. (STAINLESS STEEL OPTIONAL)
- ② BULLET RESISTANT MATERIAL, AS REQUIRED.
- ③ 12 GA. PRIMED STEEL FRAME.
- ④ CONTINUOUS GEARED HINGE.
- ⑤ HARDWARE AS SPECIFIED (BY OTHERS, UNLESS NOTED OTHERWISE).
- ⑥ GLAZING TAPE.
- ⑦ GLAZING - UL RATED BULLET RESISTANT.
- ⑧ NEOPRENE SETTING BLOCK AT SILL.
- ⑨ PAINTABLE ANCHOR ACCESS HOLE PLUG.
- ⑩ ANCHOR AS REQUIRED (BY OTHERS.)
- ⑪ 1" x 1" REMOVABLE GLASS STOP.
- ⑫ FASTENER, FIELD ASSEMBLED.
- ⑬ VISIBLE SEAM

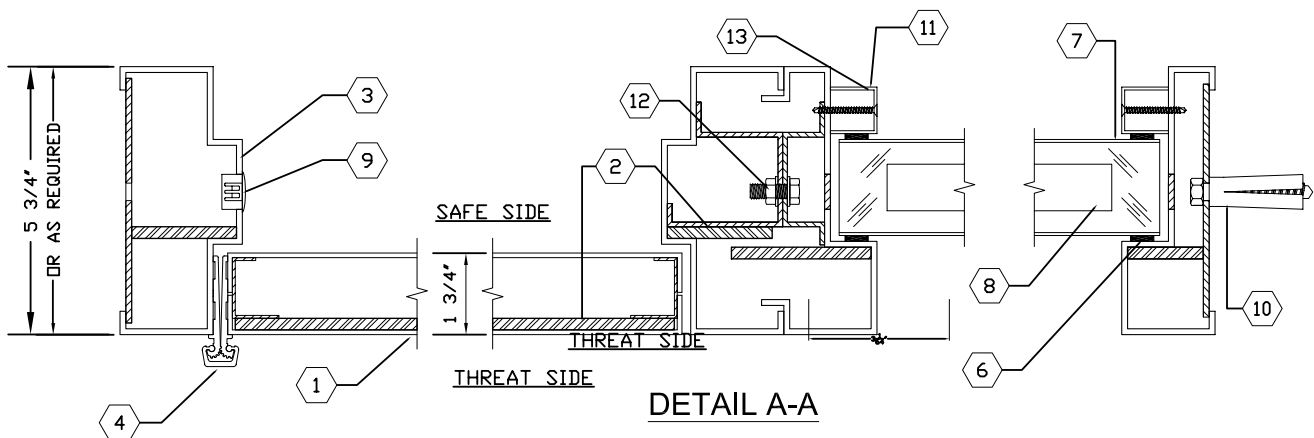


FIN. FLR.

ELEVATION



DETAIL B-B



DETAIL A-A

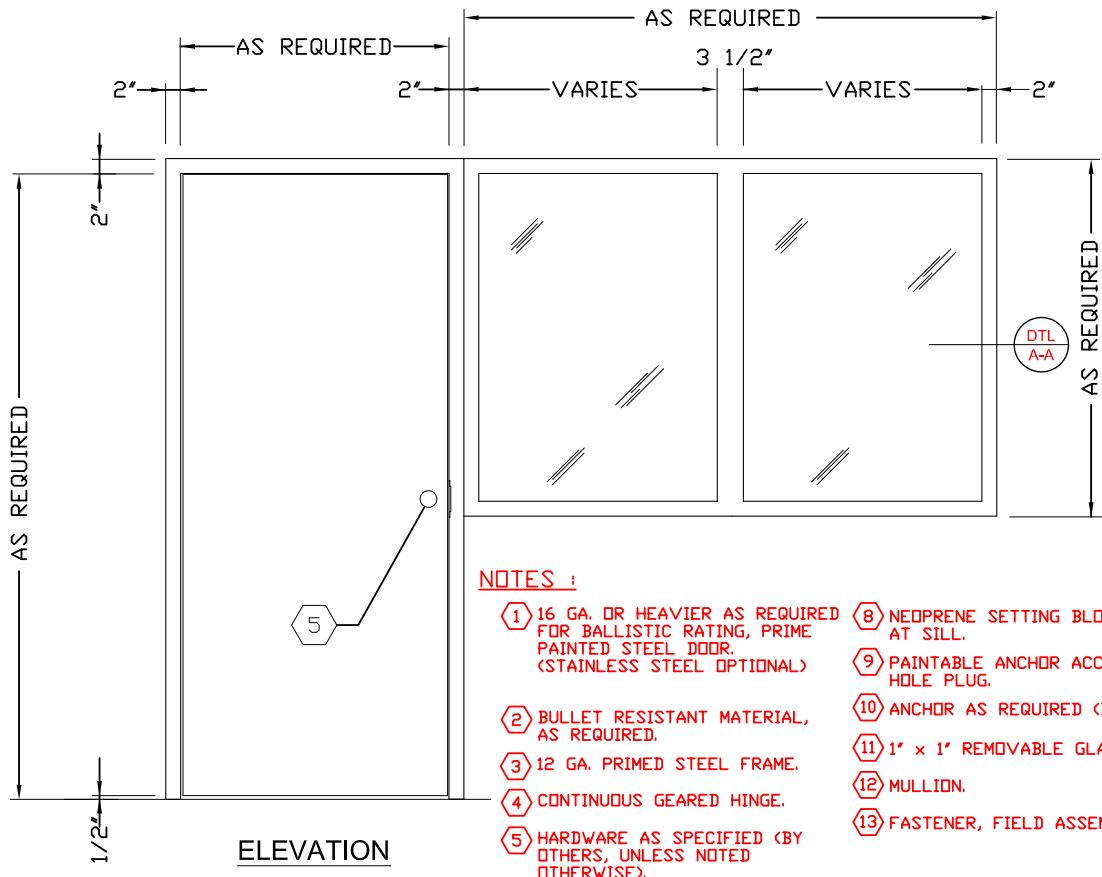
A7

REVISION # 4		JOB:	
REVISION # 3		TITLE: SBR-7	
REVISION # 2		FINISH: Prime & Painted Steel GLASS:	
REVISION # 1		DRAWN BY SCALE: DATE: DWG NO.	
REVISIONS	DATE		

ACTION
BULLET RESISTANT
 SECURITY STOREFRONTS

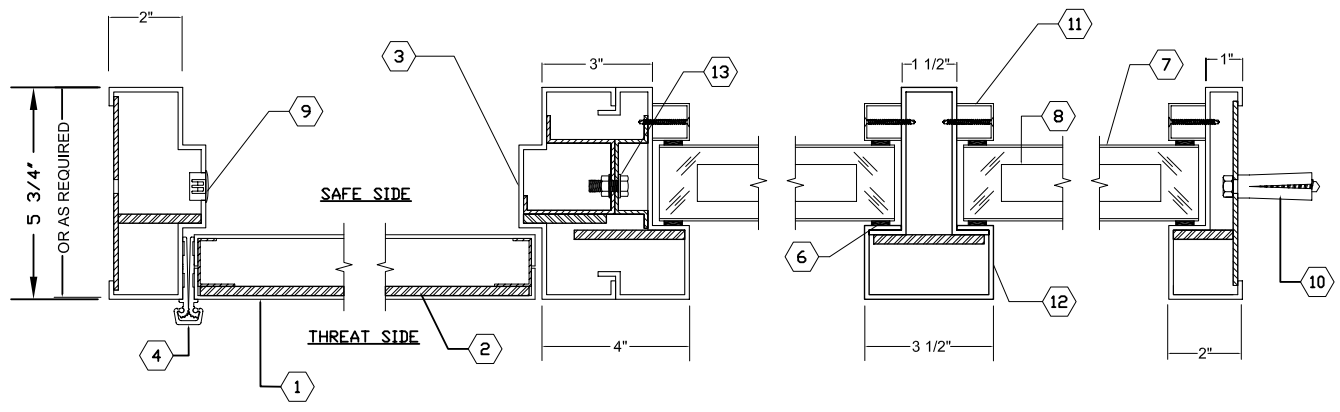
263 UNION BLVD. W. ISLIP, N.Y. 11795
 PH:(631)422-0888 FAX:(631)422-4498
 WWW.ACTIONBULLET.COM

HOLLOW METAL DOOR AND FRAME WITH VISION LIGHT AND SIDE LIGHTS BALLISTIC LEVELS 1-8 (UL-752)



NOTES :

- ① 16 GA. OR HEAVIER AS REQUIRED FOR BALLISTIC RATING, PRIME PAINTED STEEL DOOR. (STAINLESS STEEL OPTIONAL)
- ② BULLET RESISTANT MATERIAL, AS REQUIRED.
- ③ 12 GA. PRIMED STEEL FRAME.
- ④ CONTINUOUS GEARED HINGE.
- ⑤ HARDWARE AS SPECIFIED (BY OTHERS, UNLESS NOTED OTHERWISE).
- ⑥ GLAZING TAPE.
- ⑦ GLAZING - UL RATED BULLET RESISTANT.
- ⑧ NEOPRENE SETTING BLOCK AT SILL.
- ⑨ PAINTABLE ANCHOR ACCESS HOLE PLUG.
- ⑩ ANCHOR AS REQUIRED (BY OTHERS)
- ⑪ 1' x 1' REMOVABLE GLASS STOP.
- ⑫ MULLION.
- ⑬ FASTENER, FIELD ASSEMBLED.



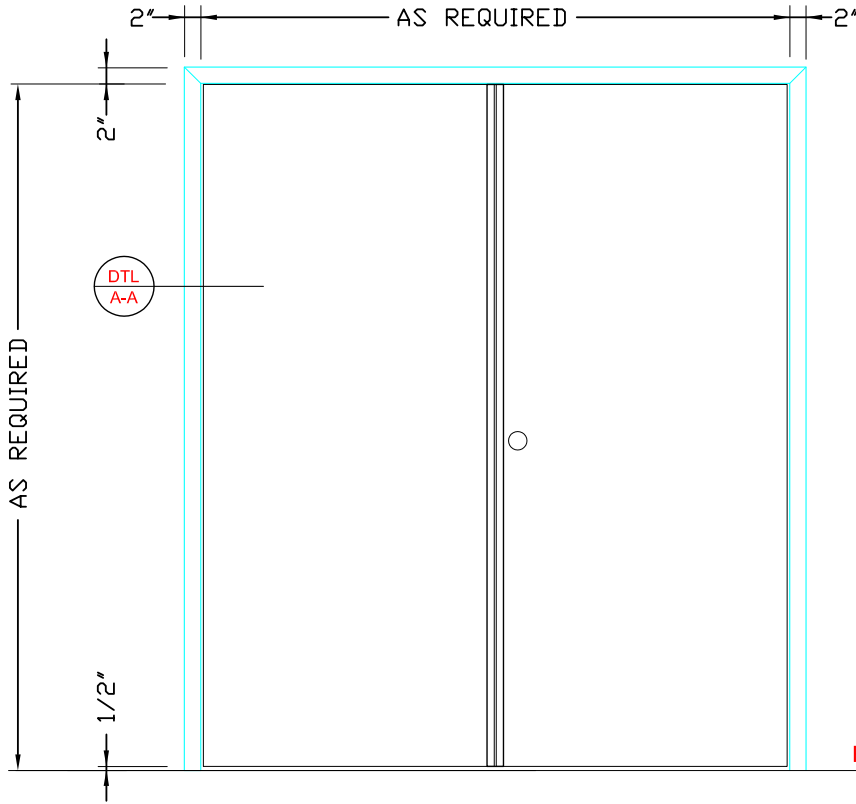
A8

REVISION # 4		JOB:	
REVISION # 3		TITLE: SBR-8	
REVISION # 2		FINISH: Prime & Painted Steel	GLASS:
REVISION # 1		DRAWN BY	SCALE: DATE: DWG NO.
REVISIONS	DATE		

ACTION
BULLET RESISTANT
SECURITY STOREFRONTS

263 UNION BLVD. W. ISLIP, N.Y. 11795
PH:(631)422-0888 FAX:(631)422-4498
WWW.ACTIONBULLET.COM

**PAIR FLUSH HOLLOW METAL DOOR AND FRAME
BALLISTIC LEVELS 1-8 (UL-752)**

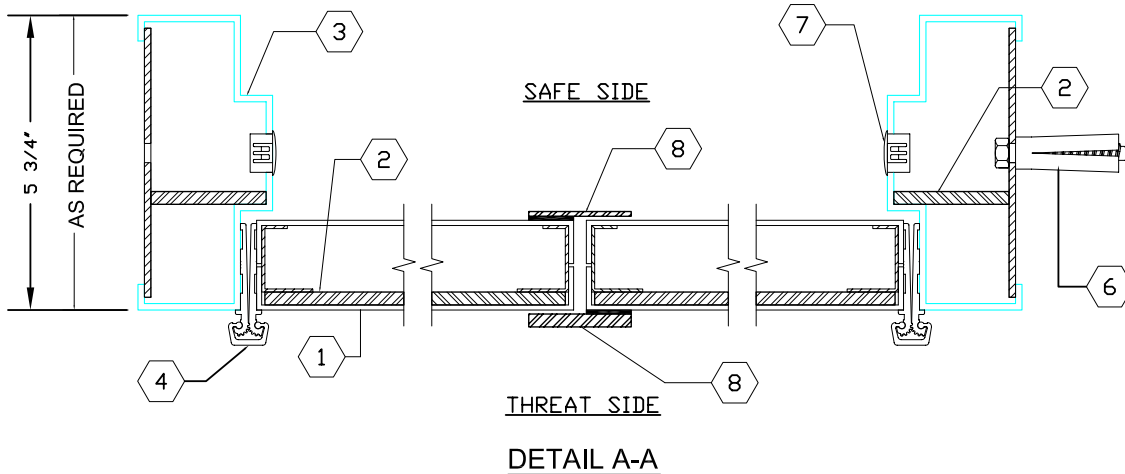


ELEVATION

NOTES :

- ① 16 GA. OR HEAVIER AS REQUIRED FOR BALLISTIC RATING, PRIME PAINTED STEEL DOOR. (STAINLESS STEEL OPTIONAL)
- ② BULLET RESISTANT MATERIAL, AS REQUIRED.
- ③ 12 GA. PRIMED STEEL FRAME.
- ④ CONTINUOUS GEARED HINGE.
- ⑤ HARDWARE AS SPECIFIED (BY OTHERS, UNLESS NOTED OTHERWISE).
- ⑥ ANCHOR AS REQUIRED (BY OTHERS)
- ⑦ PAINTABLE ANCHOR ACCESS HOLE PLUG.
- ⑧ ASTRAGAL REQUIRED.

FIN. FLR.



DETAIL A-A

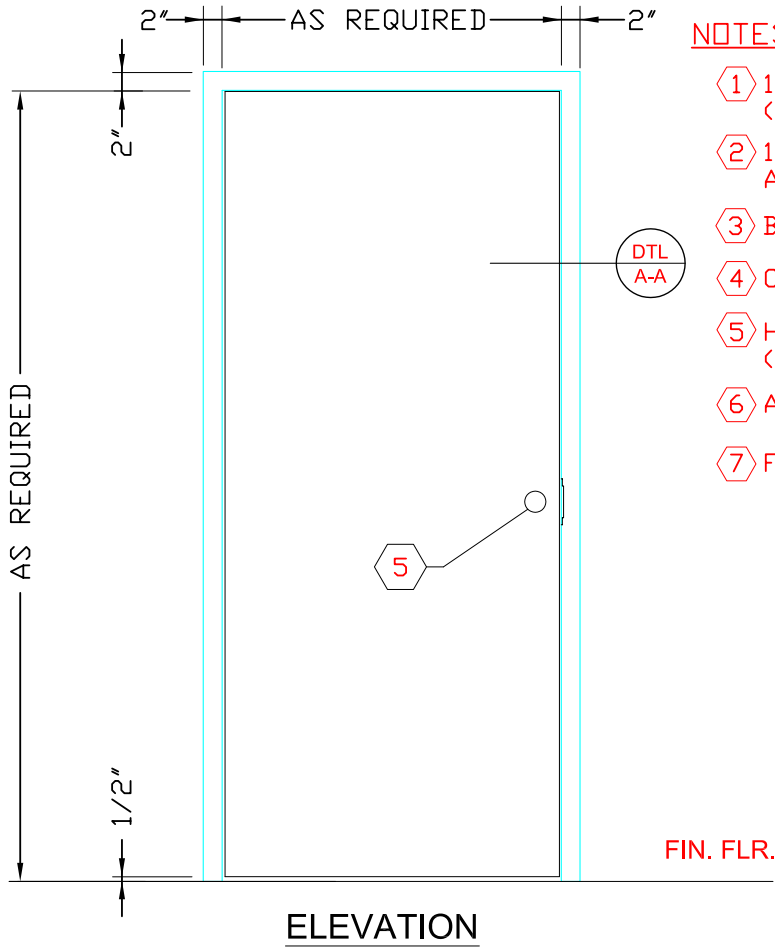
A9

REVISION # 4		JOB:	
REVISION # 3		TITLE: SBR-9	
REVISION # 2		FINISH: Prime & Painted Steel	GLASS:
REVISION # 1		DRAWN BY	SCALE: DATE: DWG. NO.
REVISIONS	DATE		

ACTION
BULLET RESISTANT
SECURITY STOREFRONTS

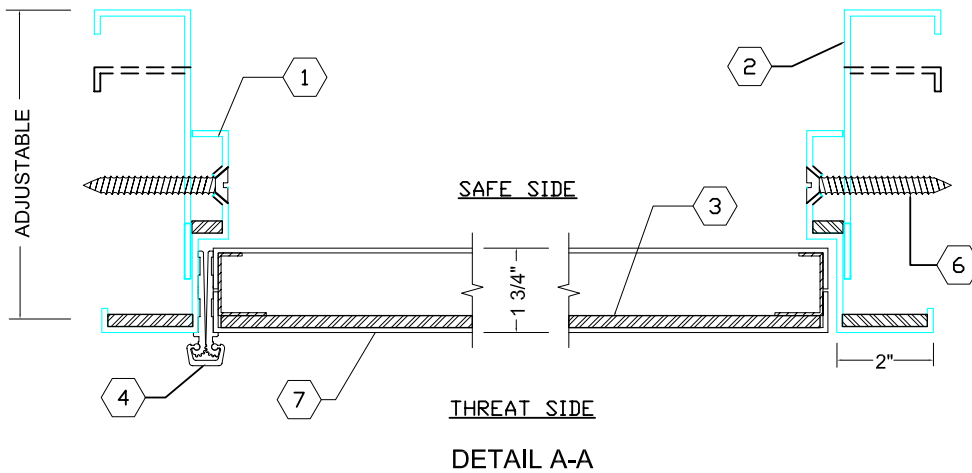
263 UNION BLVD. W. ISLIP, N.Y. 11795
 PH:(631)422-0888 FAX:(631)422-4498
 WWW.ACTIONBULLET.COM

HOLLOW METAL DOOR AND FRAME ADJUSTABLE
BALLISTIC LEVELS 1-8 (UL-752)



NOTES :

- ① 12 GAUGE "FRONT" FRAME, PRIME PAINTED (STAINLESS STEEL OPTIONAL)
- ② 12 GAUGE ADJUSTABLE "BACK" FRAME AS REQUIRED.
- ③ BULLET RESISTANT MATERIAL AS REQUIRED
- ④ CONTINUOUS GEARED HINGE.
- ⑤ HARDWARE AS SPECIFIED (BY OTHERS, UNLESS NOTED).
- ⑥ ANCHOR AS REQUIRED (BY OTHERS.)
- ⑦ F, G, V, N DOOR TYPES AVAILABLE



A10

REVISION # 4		JOB:	
REVISION # 3		TITLE: SBR-10	
REVISION # 2		FINISH: Prime & Painted Steel	GLASS:
REVISION # 1		DRAWN BY	SCALE: DATE: DWG NO.
REVISIONS	DATE		

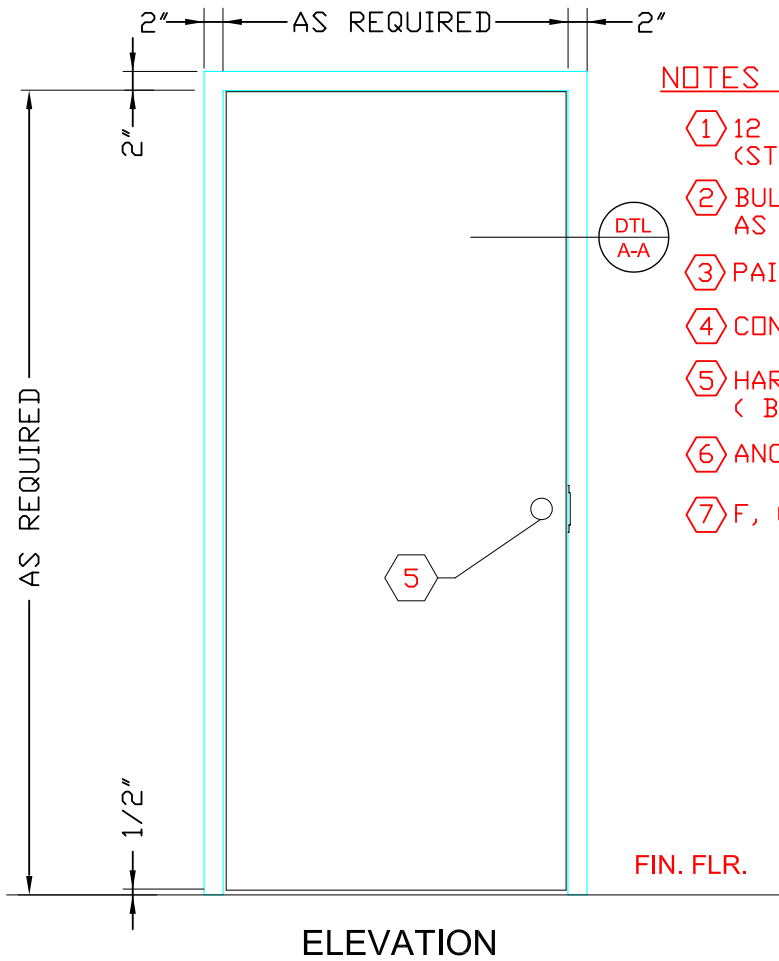
ACTION

BULLET RESISTANT

SECURITY STOREFRONTS

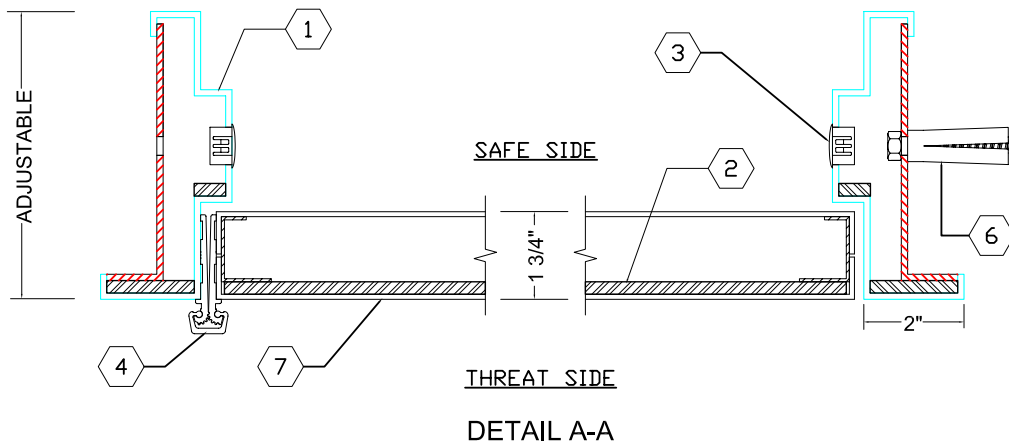
263 UNION BLVD. W. ISLIP, N.Y. 11795
PH:(631)422-0888 FAX:(631)422-4498
WWW.ACTIONBULLET.COM

HOLLOW METAL DOOR AND FRAME ADJUSTABLE
BALLISTIC LEVELS 1-8 (UL-752)



NOTES :

- ① 12 GAUGE "FRONT" FRAME, PRIME PAINTED (STAINLESS STEEL OPTIONAL)
- ② BULLET RESISTANT MATERIAL AS REQUIRED.
- ③ PAINTABLE ANCHOR ACCESS HOLE PLUG
- ④ CONTINUOUS GEARED HINGE.
- ⑤ HARDWARE AS SPECIFIED (BY OTHERS, UNLESS NOTED).
- ⑥ ANCHOR AS REQUIRED (BY OTHERS.)
- ⑦ F, G, V, N DOOR TYPES AVAILABLE



A11

REVISION # 4		JOB:	
REVISION # 3		TITLE: SBR-11	
REVISION # 2		FINISH: Prime & Painted Steel	GLASS:
REVISION # 1		DRAWN BY	SCALE: DATE: DWG. NO.
REVISIONS	DATE		

ACTION
BULLET RESISTANT
SECURITY STOREFRONTS

263 UNION BLVD. W. ISLIP, N.Y. 11795
PH:(631)422-0888 FAX:(631)422-4498
WWW.ACTIONBULLET.COM

Table of Contents

SVW Series Bullet Resistant Steel Fixed Vision Windows

SVW Series Standard Product Listing	SVW-1
SVW Fixed Vision Window	SVW-2
SVW Fixed Vision Window with Mullion	SVW-3
SVW Fixed Vision Window with Speaker	SVW-4
SVW Dual Fixed Vision Windows (Bolted)	SVW-5

A1

	JOB:			
	TITLE:			
	FINISH:	GLASS:		
	DRAWN BY	SCALE:	DATE:	DWG. NO.
REVISIONS	DATE			
REVISION # 4				
REVISION # 3				
REVISION # 2				
REVISION # 1				



263 UNION BLVD. W. ISLIP, N.Y. 11795
 PH:(631)422-0888 FAX:(631)422-4498
 WWW.ACTIONBULLET.COM

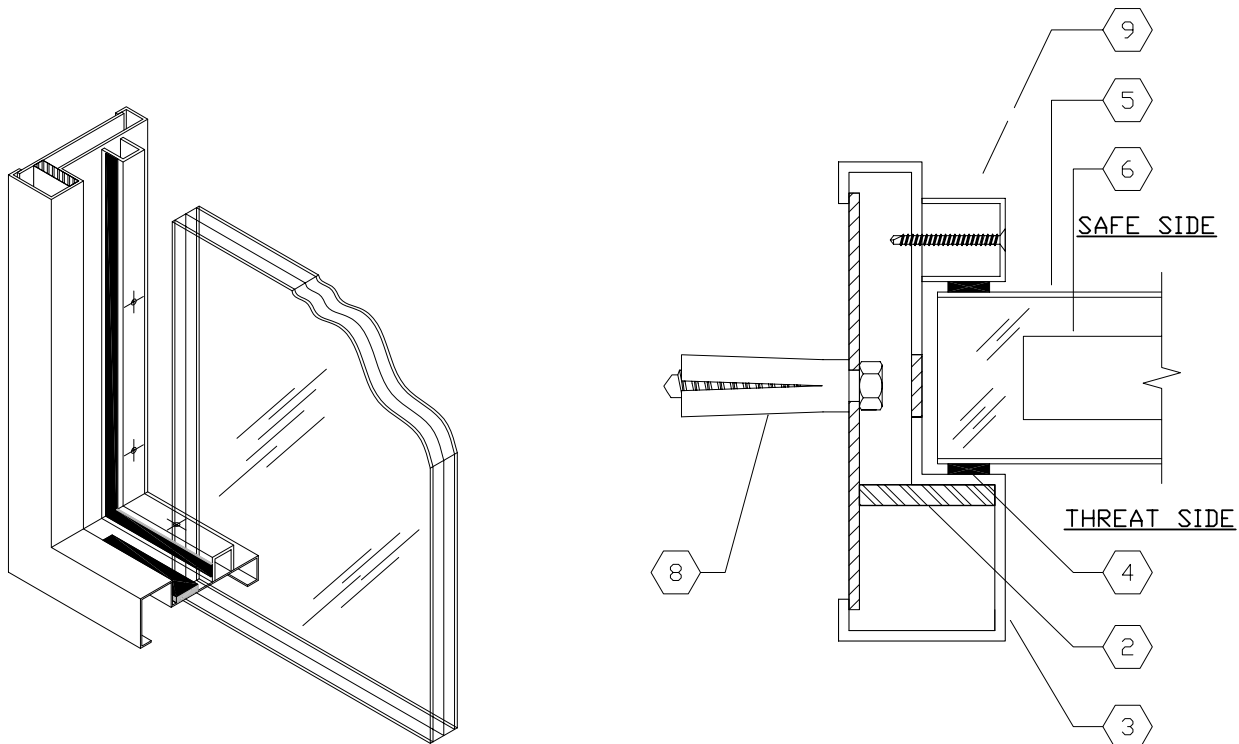
**FIXED VISION WINDOW
BALLISTIC LEVELS 1-8 (UL-752)**

NOTES :

- ① 12 GA. OR HEAVIER AS REQUIRED FOR BALLISTIC RATING, PRIME PAINTED STEEL FRAME. (STAINLESS OPTIONAL)
- ② BULLET RESISTANT MATERIAL, AS REQUIRED.
- ③ 12 GA. PRIMED STEEL FRAME.
- ④ GLAZING TAPE.
- ⑤ GLAZING - UL RATED BULLET RESISTANT.
- ⑥ NEOPRENE SETTING BLOCK AT SILL.
- ⑦
- ⑧ ANCHOR AS REQUIRED, BY OTHERS.
- ⑨ 1" x 1" REMOVABLE GLASS STOP.



ELEVATION



DETAIL A-A

A2

REVISION # 4		JOB:	
REVISION # 3		TITLE: SVW-2	
REVISION # 2		FINISH: PRIMED PAINTED STEEL	GLASS:
REVISION # 1		DRAWN BY	SCALE: DATE: DWG NO.
REVISIONS	DATE		

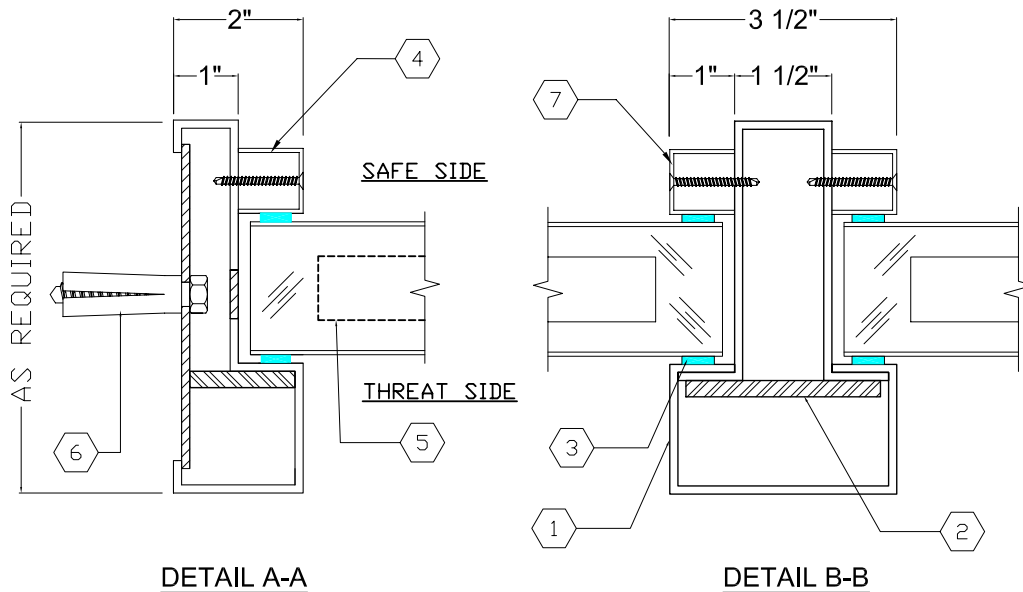
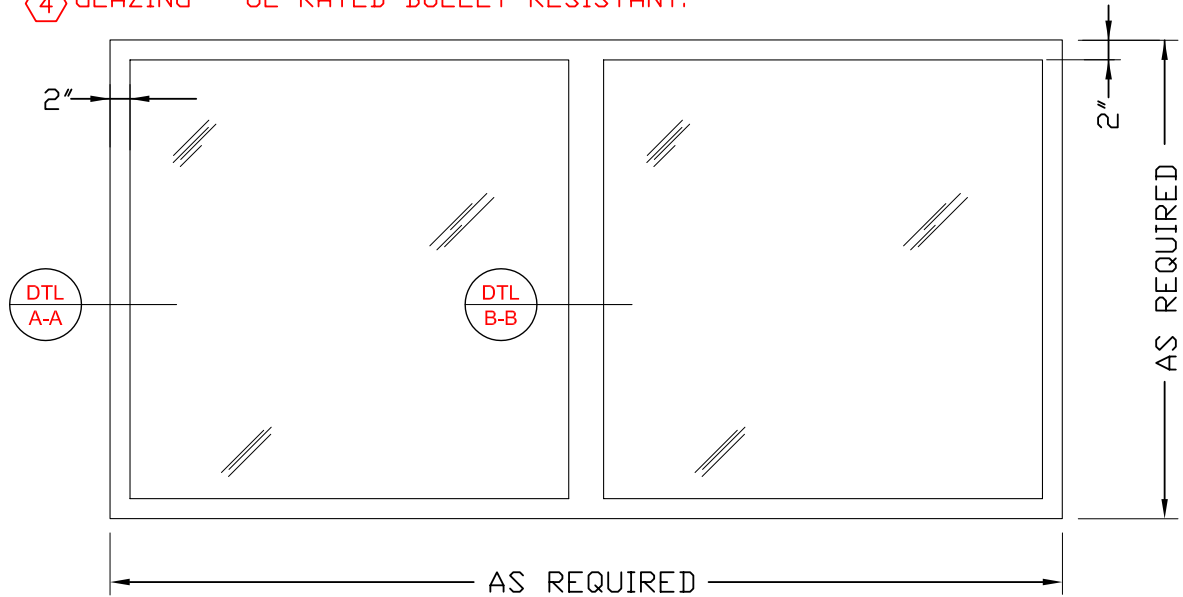
ACTION

BULLET RESISTANT
 SECURITY STOREFRONTS

263 UNION BLVD. W. ISLIP, N.Y. 11795
 PH:(631)422-0888 FAX:(631)422-4498
 WWW.ACTIONBULLET.COM

NOTES :

- ① 12 GA. OR HEAVIER AS REQUIRED FOR BALLISTIC RATING, PRIME PAINTED STEEL FRAME. (STAINLESS OPTIONAL)
 - ② BULLET RESISTANT MATERIAL, AS REQUIRED.
 - ③ GLAZING TAPE.
 - ④ GLAZING - UL RATED BULLET RESISTANT.
 - ⑤ NEOPRENE SETTING BLOCK AT SILL.
 - ⑥ ANCHOR AS REQUIRED, BY OTHERS.
 - ⑦ 1" x 1" REMOVABLE GLASS STOP.
- FIXED WINDOW W/MULLION
BALLISTIC LEVELS 1-8 (UL-752)



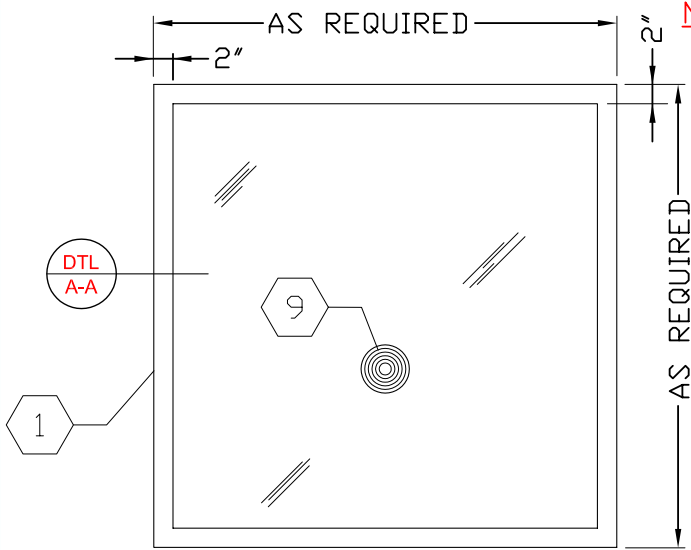
A3

REVISION # 4		JOB:	
REVISION # 3		TITLE: SVW-3	
REVISION # 2		FINISH: PRIME PAINTED STEEL	GLASS:
REVISION # 1		DRAWN BY	SCALE: DATE: DWG NO.
REVISIONS	DATE		



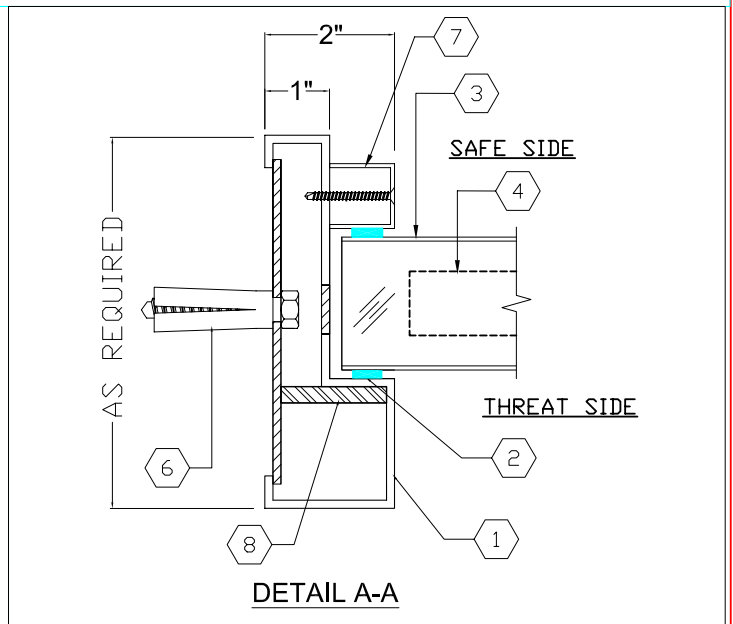
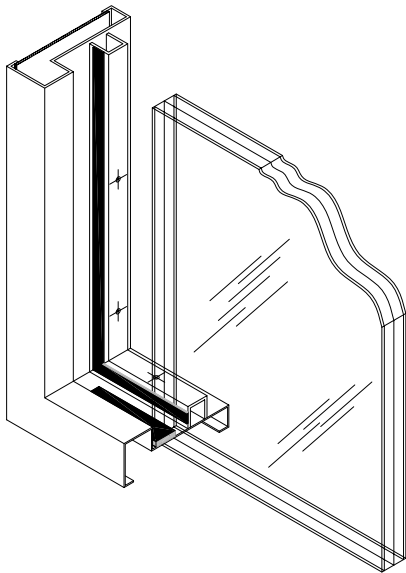
263 UNION BLVD. W. ISLIP, N.Y. 11795
PH:(631)422-0888 FAX:(631)422-4498
WWW.ACTIONBULLET.COM

**FIXED WINDOW W/SPEAKER
BALLISTIC LEVELS 1-3 & 6 (UL-752)**



NOTES :

- ① 12 GA. OR HEAVIER AS REQUIRED FOR BALLISTIC RATING, PRIME PAINTED STEEL FRAME. (STAINLESS OPTIONAL)
- ② GLAZING TAPE.
- ③ BULLET RESISTANT GLAZING
- ④ NEOPRENE SETTING BLOCK AT SILL.
- ⑤ PAINTABLE ANCHOR ACCESS HOLE PLUG.
- ⑥ ANCHOR AS REQUIRED, BY OTHERS.
- ⑦ 1" x 1" REMOVABLE GLASS STOP.
- ⑧ BULLET RESISTANT MATERIAL, AS REQUIRED.
- ⑨ SPEAKER DEVICE AT LEVELS 1, 2 & 3 ONLY (VARIOUS OPTIONS AVAILABLE)



A4

REVISION # 4		JOB:	
REVISION # 3		TITLE: SVW-4	
REVISION # 2		FINISH: PRIME PAINTED STEEL GLASS:	
REVISION # 1		DRAWN BY SCALE: DATE: DWG. NO.	
REVISIONS	DATE		

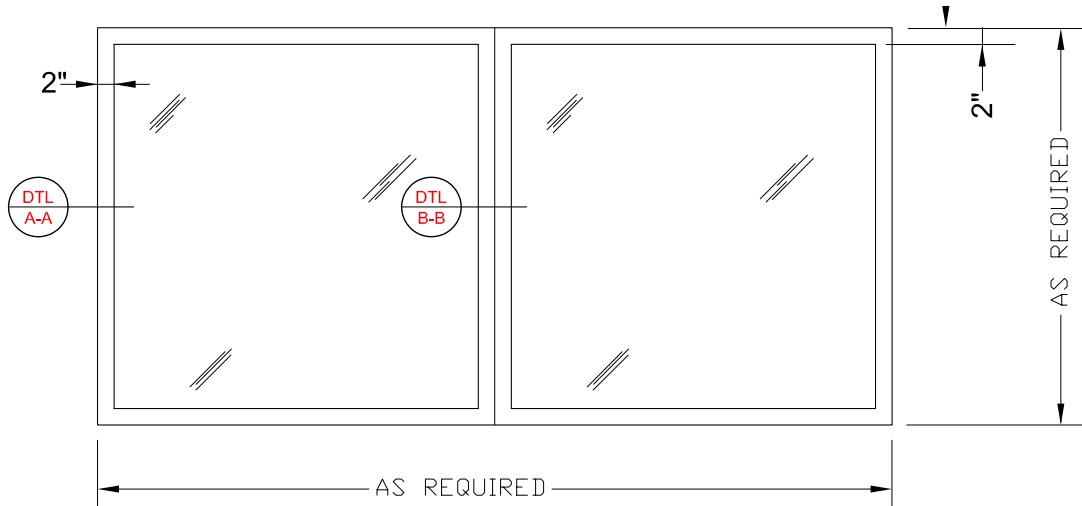
ACTION
BULLET RESISTANT
SECURITY STOREFRONTS

263 UNION BLVD. W. ISLIP, N.Y. 11795
PH:(631)422-0888 FAX:(631)422-4498
WWW.ACTIONBULLET.COM

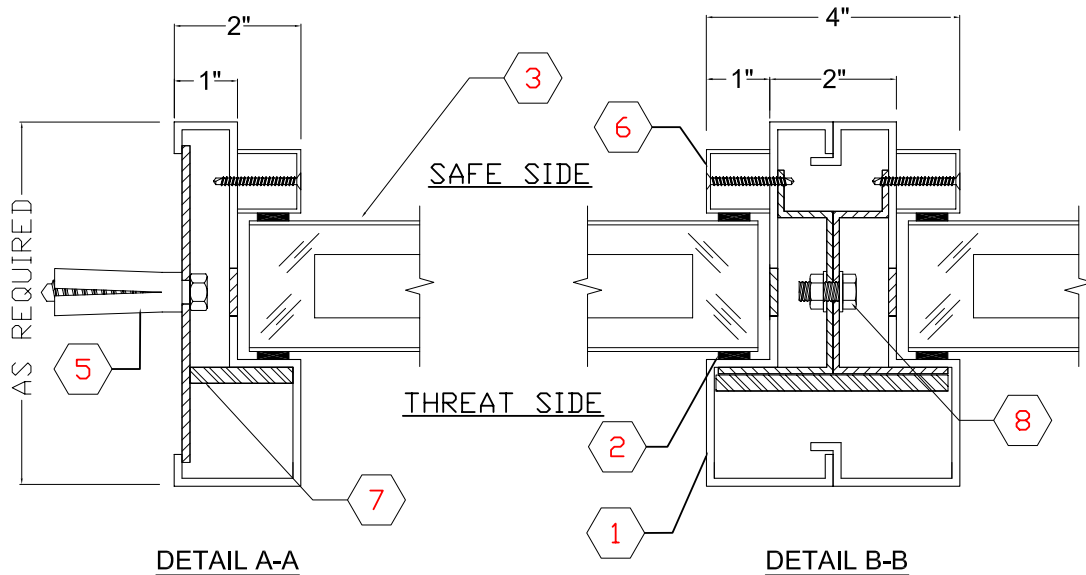
DUAL FIXED WINDOWS (BOLTED)
BALLISTIC LEVELS 1-3 & 6 (UL-752)

NOTES :

- ① 12 GA. OR HEAVIER AS REQUIRED FOR BALLISTIC RATING, PRIME PAINTED STEEL FRAME. (STAINLESS OPTIONAL)
- ② GLAZING TAPE.
- ③ BULLET RESISTANT GLAZING
- ④ NEOPRENE SETTING BLOCK AT SILL.
- ⑤ ANCHOR AS REQUIRED BY OTHERS.
- ⑥ 1" x 1" REMOVABLE GLASS STOP.
- ⑦ BR MATERIAL AS REQUIRED
- ⑧ FASTENERS, FIELD ASSEMBLED.



ELEVATION



DETAIL A-A

DETAIL B-B

A5

		JOB:			
		TITLE: SVW-5			
REVISION # 4		FINISH: PRIME PAINTED STEEL	GLASS:		
REVISION # 3		DRAWN BY	SCALE:	DATE:	DWG. NO.
REVISION # 2					
REVISION # 1					
REVISIONS	DATE				



263 UNION BLVD. W. ISLIP, N.Y. 11795
PH:(631)422-0888 FAX:(631)422-4498
WWW.ACTIONBULLET.COM

Table of Contents

SPT Series Bullet Resistant Steel Package Pass Thru Systems

SPT Series Standard Product Listing SPT-1
SPT Steel Package Passer SPT-2
SPT Money Cart Pass-Thru SPT-3

A1

REVISION # 4		JOB:			
REVISION # 3		TITLE:			
REVISION # 2		FINISH:		GLASS:	
REVISION # 1		DRAWN BY	SCALE:	DATE:	DWG. NO.
REVISIONS	DATE				

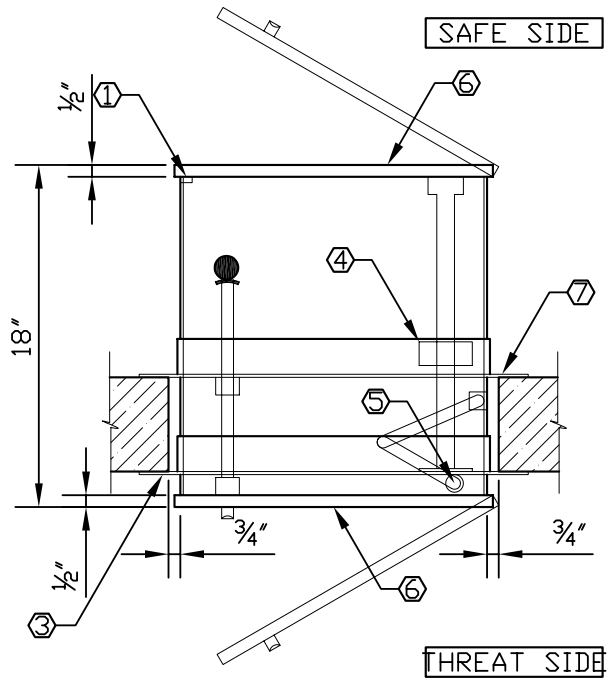


SECURITY STOREFRONTS

263 UNION BLVD. W. ISLIP, N.Y. 11795
 PH:(631)422-0888 FAX:(631)422-4498
WWW.ACTIONBULLET.COM

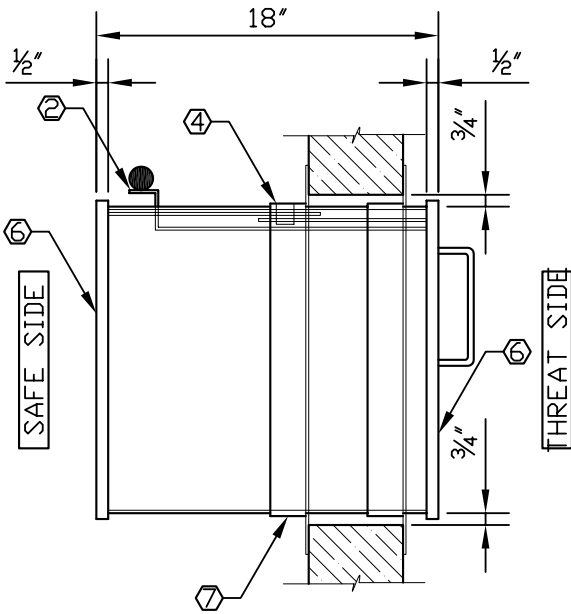
NOTES:

- ① PADDLE LOCK WITH KEYLOCK
- ② OUTSIDE DOOR RELEASE.
- ③ MOUNTING FLANGE (SHOP WELDED).
- ④ DOOR INTERLOCK MECHANISM.
- ⑤ AUTOMATIC DOOR CLOSER.
- ⑥ PRIME PAINTED STEEL DOOR.
- ⑦ TWO PIECE 12 GA ADJUSTABLE MOUNTING FLANGE.

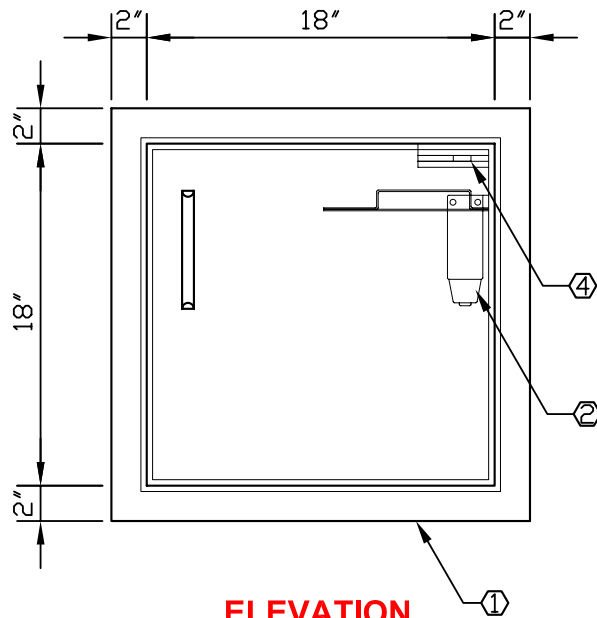


PLAN VIEW

**STEEL PACKAGE PASSER
BALLISTIC LEVELS 1-8 (UL-752)**



SIDE VIEW



ELEVATION

A2

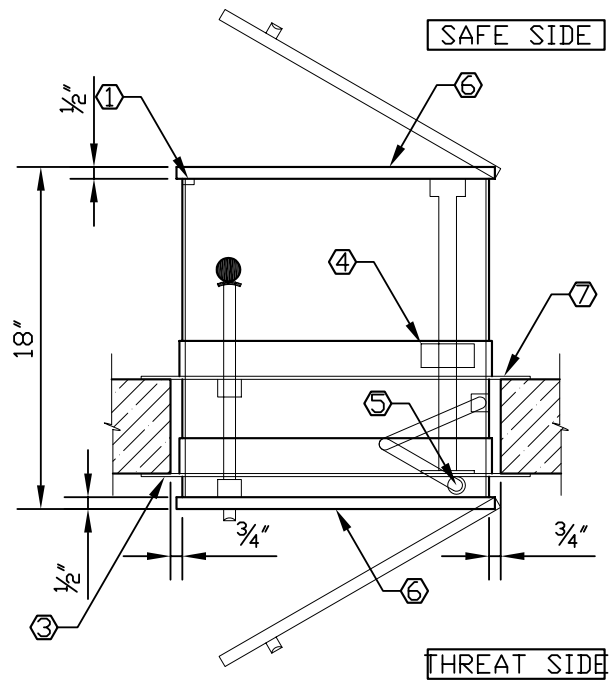
REVISION # 4		JOB:	
REVISION # 3		TITLE: Steel Package Passer	
REVISION # 2		FINISH: Prime Painted Steel	GLASS:
REVISION # 1		DRAWN BY	SCALE: DATE: DWG. NO.
REVISIONS	DATE		



263 UNION BLVD. W. ISLIP, N.Y. 11795
PH:(631)422-0888 FAX:(631)422-4498
WWW.ACTIONBULLET.COM

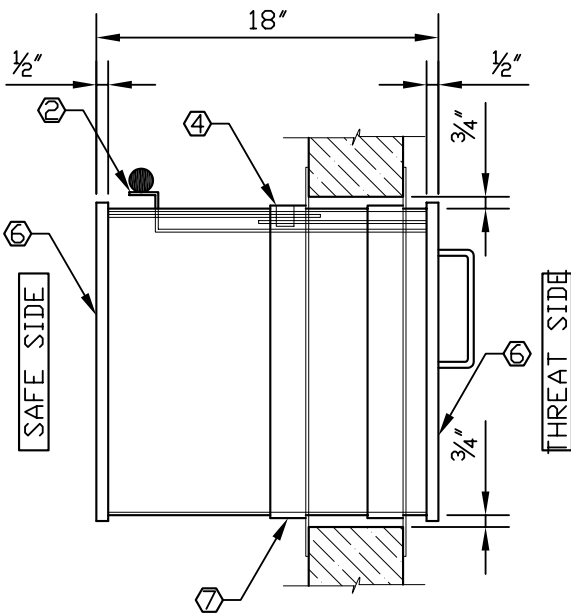
NOTES:

- ① PADDLE LOCK WITH KEYLOCK
- ② OUTSIDE DOOR RELEASE.
- ③ MOUNTING FLANGE (SHOP WELDED).
- ④ DOOR INTERLOCK MECHANISM.
- ⑤ AUTOMATIC DOOR CLOSER.
- ⑥ PRIME PAINTED STEEL DOOR.
- ⑦ TWO PIECE 12 GA ADJUSTABLE MOUNTING FLANGE.

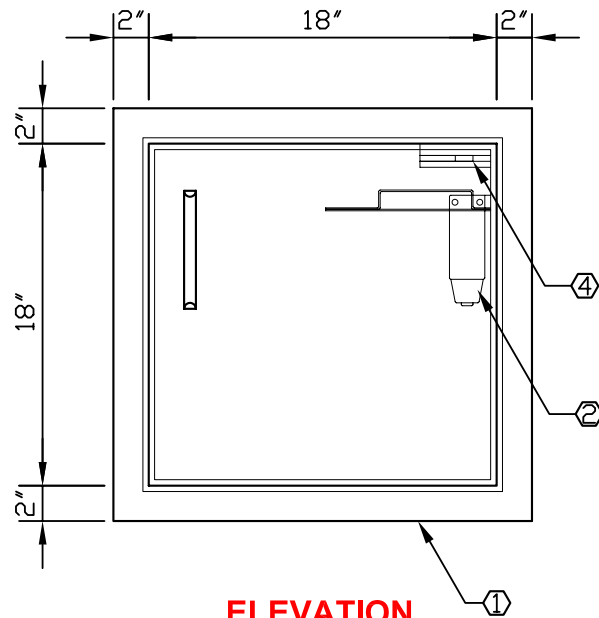


PLAN VIEW

**MONEY CART PASS-THRU
BALLISTIC LEVELS 1-8 (UL-752)**



SIDE VIEW



ELEVATION

A3

REVISION # 4		JOB:	
REVISION # 3		TITLE: SPT-4	
REVISION # 2		FINISH: PRIME PAINTED STEEL GLASS:	
REVISION # 1		DRAWN BY / SCALE: DATE: DWG. NO.	
REVISIONS	DATE		

ACTION
BULLET RESISTANT
SECURITY STOREFRONTS

263 UNION BLVD. W. ISLIP, N.Y. 11795
PH:(631)422-0888 FAX:(631)422-4498
WWW.ACTIONBULLET.COM

Table of Contents

SRFW Series Bullet Resistant Steel Return Fire Window Systems

SRFW Series Standard Product Listing SRFW-1

SRFW Return Fire Window with Assisted Opening SRFW-2

SRFW Return Fire Window with Transom Lite SRFW-3

A1

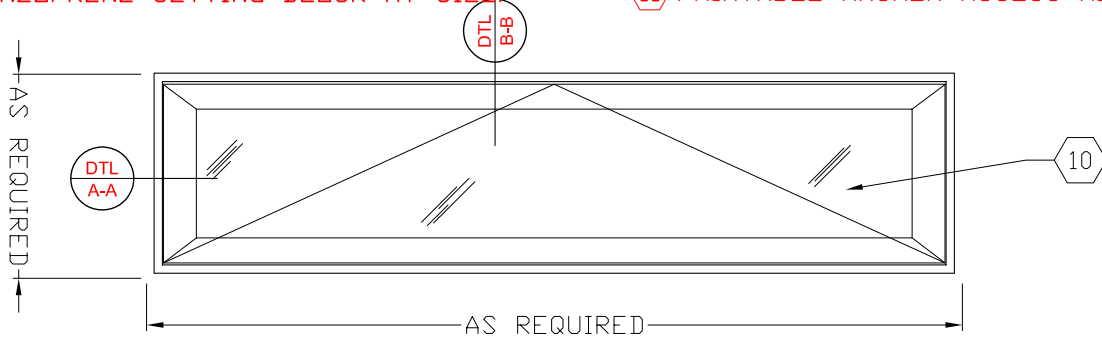
		JOB:			
		TITLE:			
		FINISH:	GLASS:		
		DRAWN BY	SCALE:	DATE:	DWG. NO.
REVISION # 4	DATE				
REVISION # 3					
REVISION # 2					
REVISION # 1					
REVISIONS					



263 UNION BLVD. W. ISLIP, N.Y. 11795
 PH:(631)422-0888 FAX:(631)422-4498
 WWW.ACTIONBULLET.COM

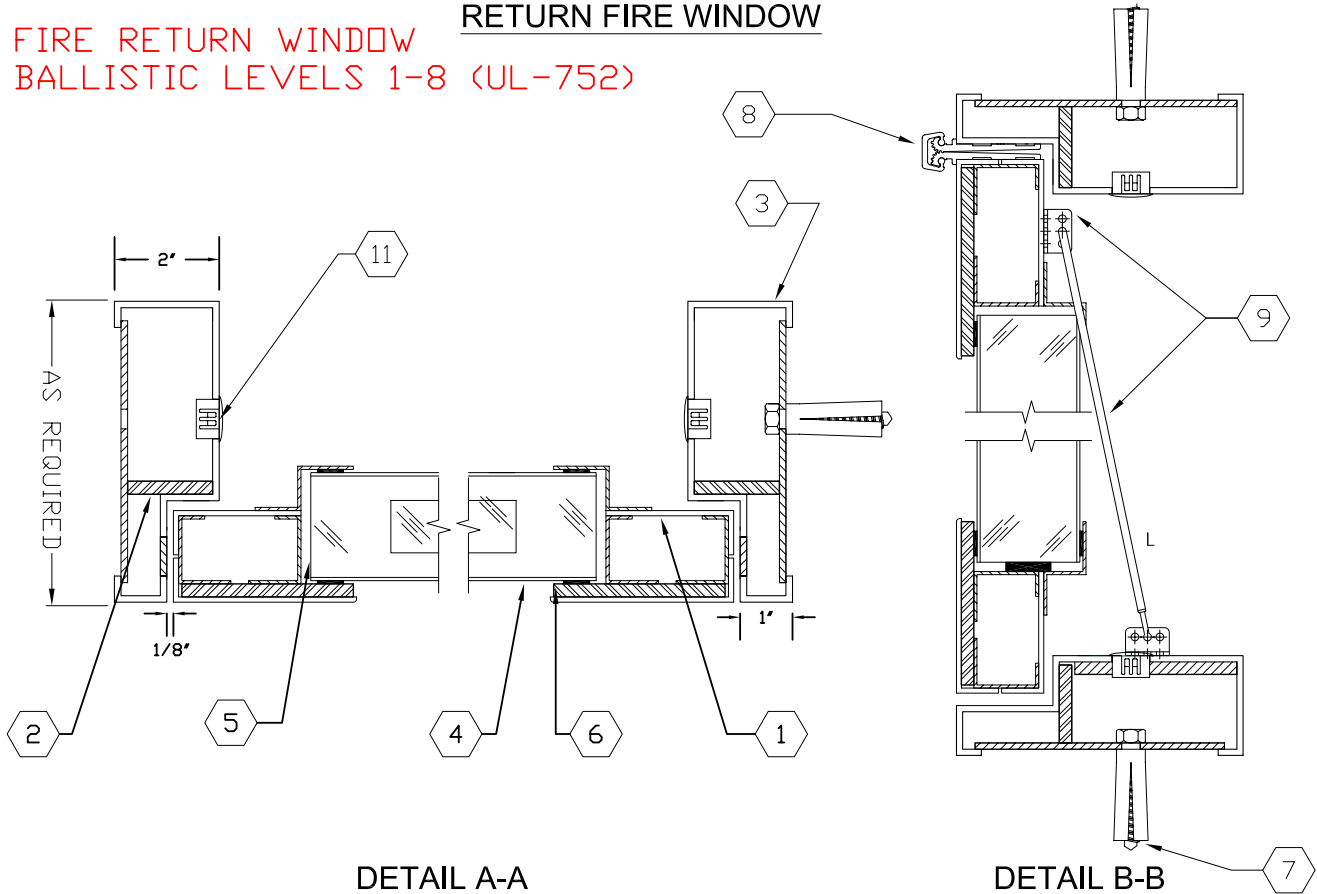
NOTES :

- ① 16 GA. OR HEAVIER AS REQUIRED FOR BALLISTIC RATING, PRIME PAINTED STEEL DOOR PANEL. (STAINLESS OPTIONAL)
- ② BULLET RESISTANT MATERIAL, AS REQUIRED.
- ③ 12 GA. PRIME PAINTED STEEL.
- ④ GLASS - UL RATED BULLET RESISTANT.
- ⑤ NEOPRENE SETTING BLOCK AT SILL
- ⑥ GLAZING TAPE.
- ⑦ ANCHOR AS REQUIRED (BY OTHERS)
- ⑧ CONTINUOUS GEARED HINGE.
- ⑨ GAS SPRING OPENER WITH REQUIRED MOUNTING AND SUPPORT HARDWARE. BY DEANSTEEL.
- ⑩ FLUSH PANEL OPTIONAL.
- ⑪ PAINTABLE ANCHOR ACCESS HOLE PLUGS.



RETURN FIRE WINDOW

**FIRE RETURN WINDOW
BALLISTIC LEVELS 1-8 (UL-752)**

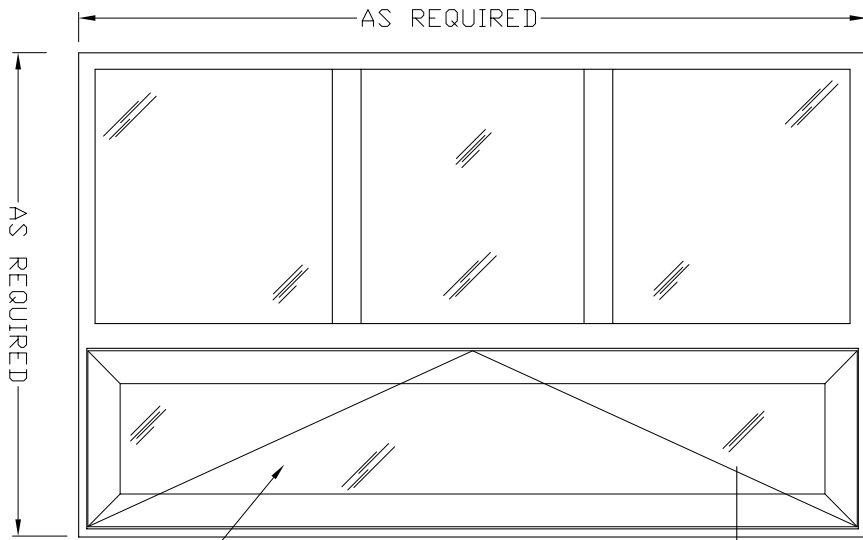


A2

REVISION # 4		JOB:	
REVISION # 3		TITLE: SRFW-2	
REVISION # 2		FINISH: PRIME PAINTED STEEL	GLASS:
REVISION # 1		DRAWN BY	SCALE: DATE: DWG. NO.
REVISIONS	DATE		

ACTION
BULLET RESISTANT
SECURITY STOREFRONTS

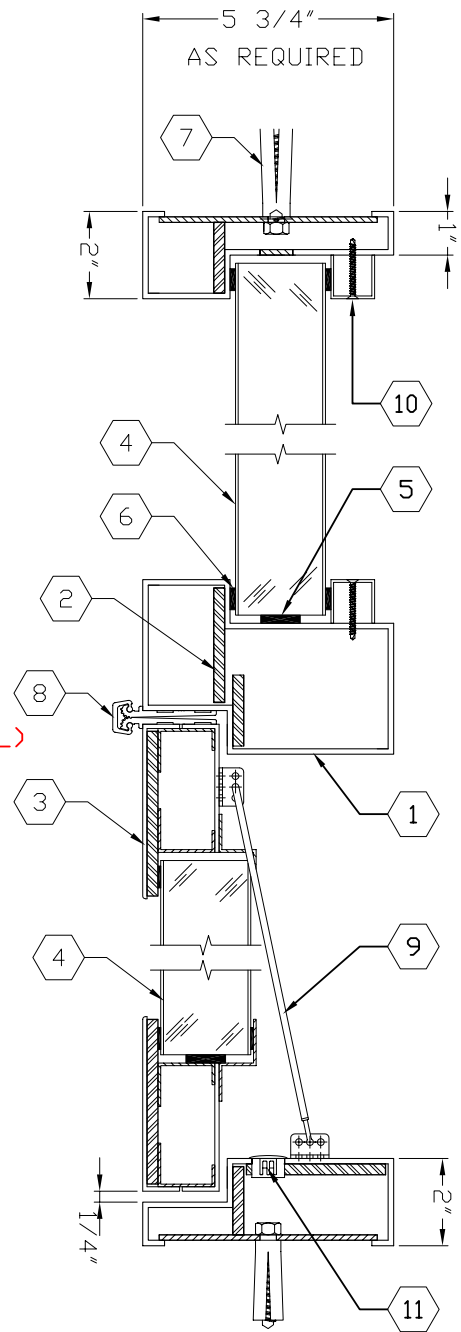
263 UNION BLVD. W. ISLIP, N.Y. 11795
 PH:(631)422-0888 FAX:(631)422-4498
 WWW.ACTIONBULLET.COM



**RETURN FIRE WINDOW
WITH FIXED WINDOW**

NOTES :

- ① 16 GA. OR HEAVIER AS REQUIRED FOR BALLISTIC RATING, PRIME PAINTED STEEL FRAME DOOR PANEL. (STAINLESS OPTIONAL)
- ② BULLET RESISTANT MATERIAL, AS REQUIRED.
- ③ 12 GA. PRIME PAINTED STEEL.
- ④ GLAZING - UL RATED BULLET RESISTANT.
- ⑤ NEOPRENE SETTING BLOCK AT SILL.
- ⑥ GLAZING TAPE.
- ⑦ ANCHOR AS REQUIRED (BY OTHERS)
- ⑧ CONTINUOUS GEARED HINGE.
- ⑨ GAS SPRING OPENER WITH REQUIRED MOUNTING AND SUPPORT HARDWARE BY DEANSTEEL.
- ⑩ 1" x 1", 16 GA. REMOVABLE STOP.
- ⑪ PAINTABLE ANCHOR ACCESS HOLE PLUG
- ⑫ FLUSH PANEL OPTIONAL.



DETAIL A-A

A3

REVISION # 4		JOB:	
REVISION # 3		TITLE: SRFW-3	
REVISION # 2		FINISH: PRIME PAINTED STEEL	GLASS:
REVISION # 1		DRAWN BY	SCALE: DATE: DWG. NO.
REVISIONS	DATE		



263 UNION BLVD. W. ISLIP, N.Y. 11795
 PH:(631)422-0888 FAX:(631)422-4498
 WWW.ACTIONBULLET.COM

Table of Contents

STW Series Bullet Resistant Steel Transaction Windows

STW Series Standard Product Listing STW-1

STW Natural Voice Transaction Window STW-2

STW Dual Transaction Windows (Bolted) STW-3

STW Natural Voice Transaction Window with Mullion STW-4

A1

		JOB:			
REVISION # 4		TITLE: TRANSACTION WINDOWS			
REVISION # 3		FINISH:		GLASS:	
REVISION # 2		DRAWN BY	SCALE:	DATE:	DWG NO.
REVISION # 1					
REVISIONS	DATE				

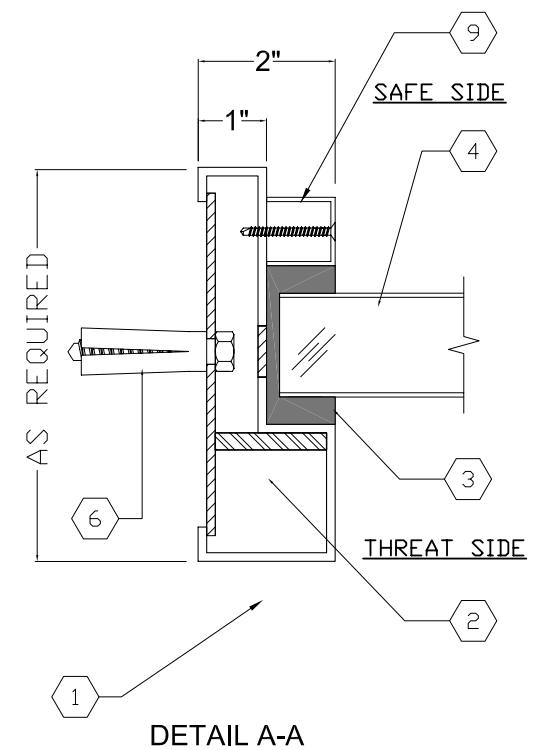
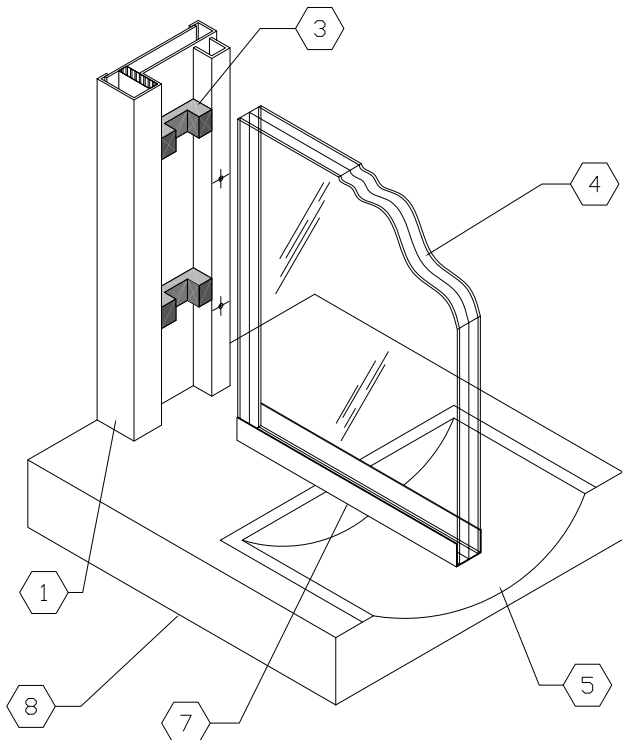
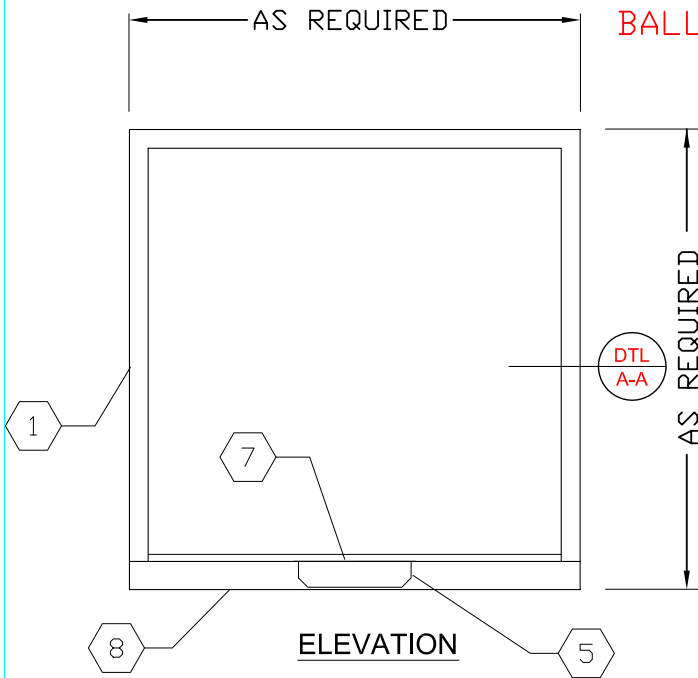


263 UNION BLVD. W. ISLIP, N.Y. 11795
 PH:(631)422-0888 FAX:(631)422-4498
 WWW.ACTIONBULLET.COM

NATURAL VOICE TRANSACTION WINDOW BALLISTIC LEVELS 1-8 (UL-752)

NOTES :

- ① 16 GA. OR HEAVIER AS REQUIRED FOR BALLISTIC RATING, PRIME PAINTED STEEL FRAME. (STAINLESS OPTIONAL)
- ② BULLET RESISTANT MATERIAL, AS REQUIRED.
- ③ NEOPRENE NATURAL VOICE SPACERS.
- ④ BULLET RESISTANT GLAZING
- ⑤ STAINLESS STEEL DEAL TRAY.
- ⑥ ANCHOR AS REQUIRED, BY OTHERS.
- ⑦ STAINLESS STEEL GLASS CAP.
- ⑧ OPTIONAL PLASTIC LAMINATE, CORIAN OR STAINLESS STEEL COUNTER.
- ⑨ 1" x 1" REMOVABLE GLASS STOP.



A2

		JOB:			
		TITLE: STW-2			
REVISION # 4		FINISH: SEE NOTES	GLASS:		
REVISION # 3		DRAWN BY	SCALE:	DATE:	DWG NO.
REVISION # 2					
REVISION # 1					
REVISIONS	DATE				



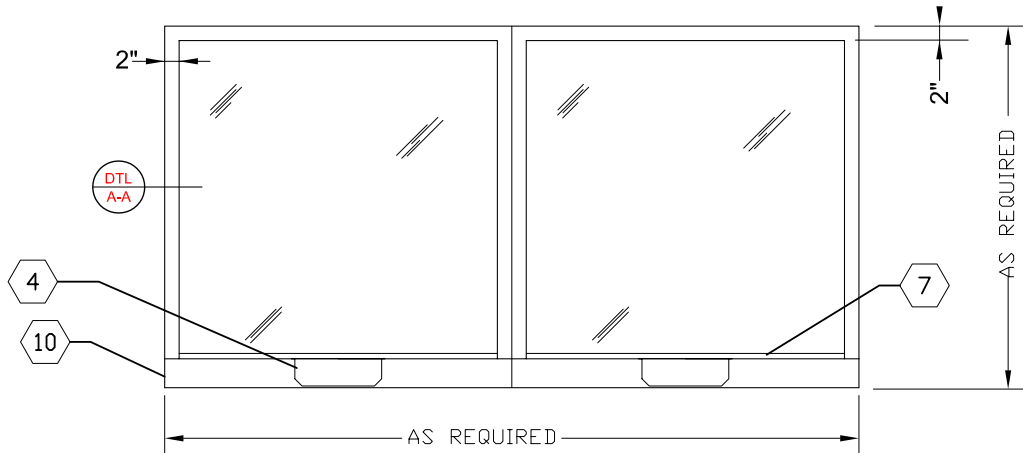
ACTION
BULLET RESISTANT
SECURITY STOREFRONTS

263 UNION BLVD. W. ISLIP, N.Y. 11795
PH:(631)422-0888 FAX:(631)422-4498
WWW.ACTIONBULLET.COM

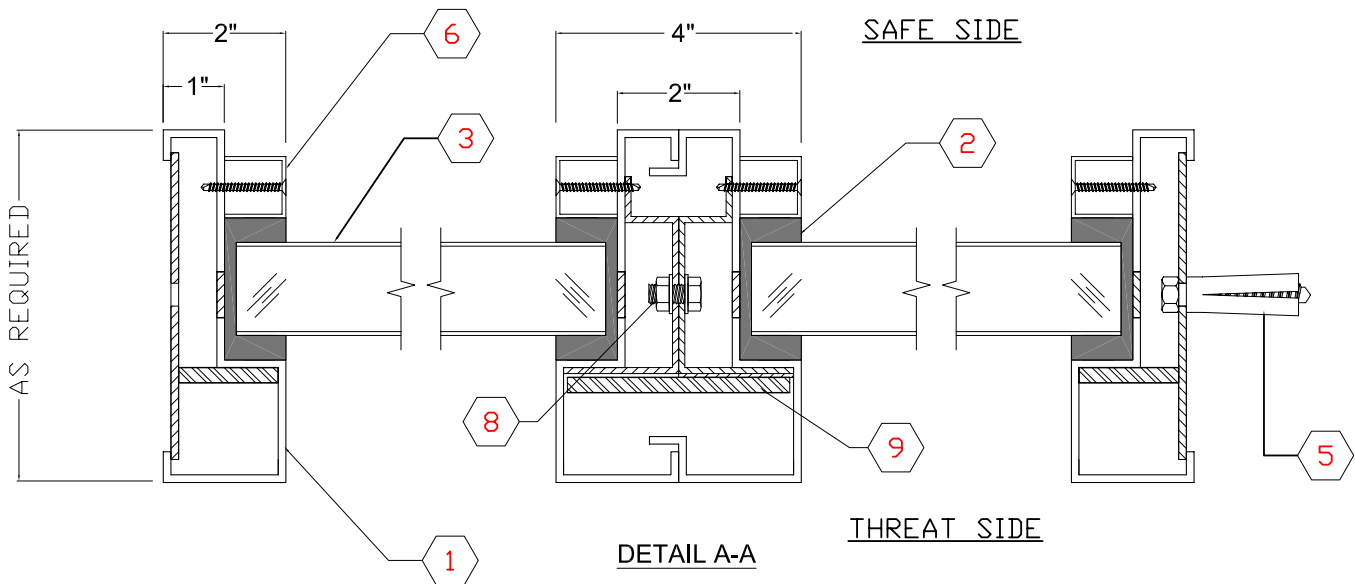
**DUAL TRANSACTION WINDOW (BOLTED)
BALLISTIC LEVELS 1-3&6 (UL-752)**

NOTES :

- ① 12 GA. OR HEAVIER AS REQUIRED FOR BALLISTIC RATING, PRIME PAINTED STEEL FRAME. (STAINLESS OPTIONAL)
- ② NEOPRENE NATURAL VOICE SPACERS.
- ③ BULLET RESISTANT GLAZING
- ④ STAINLESS STEEL DEAL TRAY.
- ⑤ ANCHOR AS REQUIRED BY OTHERS.
- ⑥ 1' x 1' REMOVABLE GLASS STOP.
- ⑦ STAINLESS STEEL GLASS CAP.
- ⑧ FIELD ASSEMBLY BOLT
- ⑨ BULLET RESISTANT MATERIAL, AS REQUIRED
- ⑩ OPTIONAL PLASTIC LAMINATE, CORIAN OR STAINLESS STEEL COUNTER.



ELEVATION



DETAIL A-A

A3

		JOB:			
		TITLE: STW-3			
		FINISH: SEE NOTES	GLASS:		
		DRAWN BY	SCALE:	DATE:	DWG. NO.
REVISION # 4	DATE				
REVISION # 3					
REVISION # 2					
REVISION # 1					
REVISIONS					

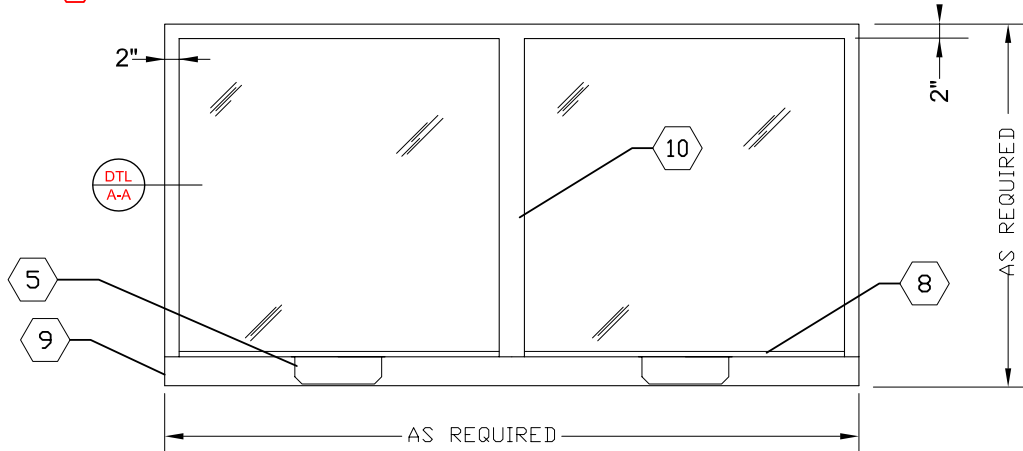


263 UNION BLVD. W. ISLIP, N.Y. 11795
PH:(631)422-0888 FAX:(631)422-4498
WWW.ACTIONBULLET.COM

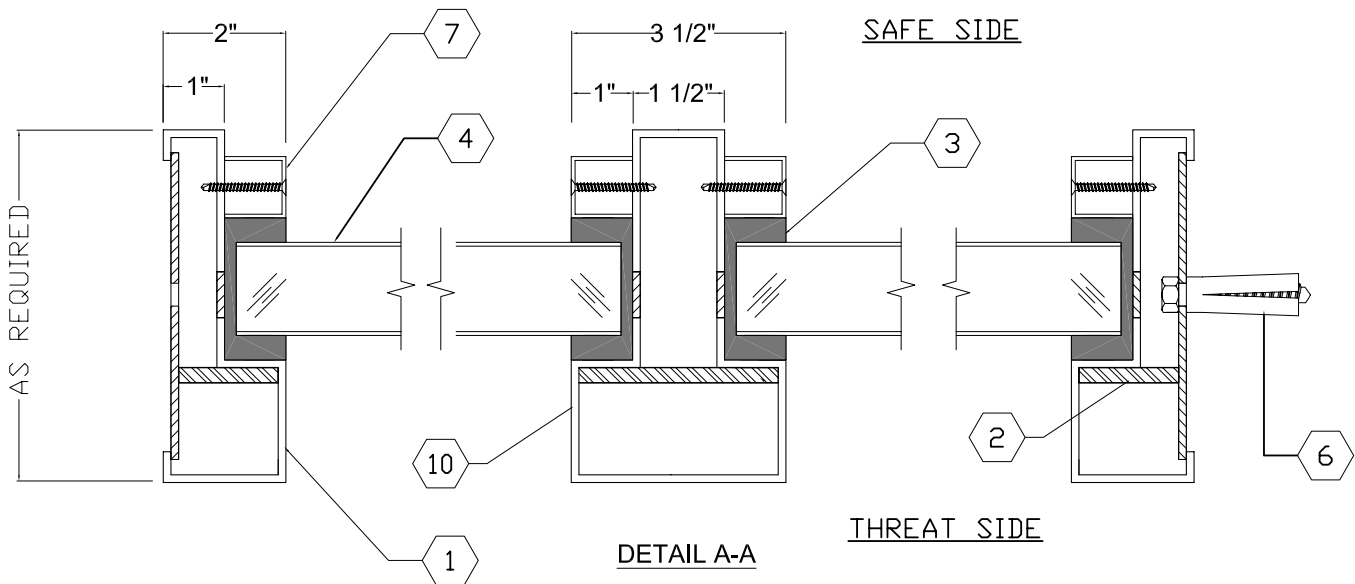
NATURAL VOICE TRANSACTION WINDOW W/MULLION

NOTES : BALLISTIC LEVELS 1-8 (UL-752)

- ① 12 GA. OR HEAVIER AS REQUIRED FOR BALLISTIC RATING, PRIME PAINTED STEEL FRAME. (STAINLESS OPTIONAL)
- ② BULLET RESISTANT MATERIAL, AS REQUIRED.
- ③ NEOPRENE NATURAL VOICE SPACERS.
- ④ GLAZING - UL RATED BULLET RESISTANT.
- ⑤ STAINLESS STEEL DEAL TRAY.
- ⑥ ANCHOR AS REQUIRED, BY OTHERS.
- ⑦ 1" x 1" REMOVABLE GLASS STOP.
- ⑧ STAINLESS STEEL GLASS CAP.
- ⑨ OPTIONAL PLASTIC LAMINATE, CORIAN OR STAINLESS STEEL COUNTER.
- ⑩ MULLION



ELEVATION



DETAIL A-A

A4

		JOB:			
		TITLE: STW-4			
		FINISH: SEE NOTES	GLASS:		
		DRAWN BY	SCALE:	DATE:	DWG. NO.
REVISIONS	DATE				



263 UNION BLVD. W. ISLIP, N.Y. 11795
 PH:(631)422-0888 FAX:(631)422-4498
 WWW.ACTIONBULLET.COM

Ballistics Table for Armorcore Panels

PRODUCT	BALLISTIC STANDARD	WEAPON	AMMUNITION	WEIGHT LBS/SQ. FT.	THICKNESS
ACL 100	NIJ I	.22 LHRV LEAD .25 ACP .32 ACP .38 SPECIAL RN LEAD	40 GR 1050 FPS 50 GR FMJ 800 FPS 70 GR FMJ 850 FPS 158 GR 850 FPS	1.3	1/8"
ACL 2000 <i>UL LISTED</i>	UL752-1	9MM .40 S&W	124 GR FMJ 1175 FPS 180 GR FMJ 1040 FPS	2.6	1/4"
ACL 3000 <i>UL LISTED</i>	UL752-2 NIJ II-A	.357 MAGNUM 9 MM .44 SPECIAL .45 COLT .45 ACP	158 GR JSP 1350 FPS 124 GR FMJ 1400 FPS 240 GR LRN 875 FPS 255 GR LRN 900 FPS 230 GR FMJ 850 FPS	3.4	3/8"
ACL 3500	NIJ II	.357 MAGNUM 9 MM .41 MAGNUM .44 MAGNUM	158 GR JSP 1395 FPS 124 GR FMJ 1175 FPS 210 GR JSP 1350 FPS 240 GR JHP 1450 FPS	3.9	3/8"
ACL 4000 <i>UL LISTED</i>	UL752-3 NIJ III-A	.44 MAGNUM 9 MM	240 GR LSWC 1450 FPS 124 GR FMJ 1400 FPS	4.3	7/16"
ACL 5000	SPECIAL	5.56 x 45 NATO 5.45 x 39 SOVIET 7.62 x 39 SOVIET	62 GR FMJ 3250 FPS 62 GR FMJ 3050 FPS 123 GR FMJ 2450 FPS	9.7	1"
ACL 6000 <i>UL LISTED</i>	UL752-4	.30 CALIBER RIFLE	180 GR SP 2750 FPS	13.8	1-1/8"
ACL 7000	NIJ III UL752-5	7.62 x 51 MM 308 WINCHESTER	150 GR FMJ 2850 FPS 150 GR FMJ 2750 FPS	14.5	1-1/8"

All Glass Laminates

PRODUCT NAME	THREAT DESCRIPTION	THICKNESS	LBS/ SQ. FT.
PAS 001AG	9 mm (3 SHOTS)	1.185"	15.25
PAS 002AG	.357 mag, 9 mm (3 SHOTS)	1.40"	17.94
PAS 003AG	.44 mag, .357 mag, 9 mm (3 SHOTS)	1.59"	20.38
PAS 004AG	308, 30-06, 7.62 x 39 SC (AK47) 5.56 x 45 M193	2.00"	25.63
PAS 008AG	30-06 AP M2	2.40"	29.76

Whether supplied flat or curved for a specific application, Laminated Glass offers the durability of traditional bullet resistant glazing at an extremely affordable cost. These glass laminates meet NIJ and UL standards for bullet resistant applications. We also manufacture laminates to meet any other standard you may require.

Available in gray, green or bronze tints:

We can provide you with the following surfaces:

- Tempered
- Heat Strength
- Annealed
- Chemically Tempered

We can provide a variety of laminates to stop your specific threat level.

Laminated Polycarbonate

PRODUCT NAME	THREAT DESCRIPTION	THICKNESS	LBS/ SQ. FT.
LP 375	.38 SPECIAL / FORCED ENTRY / 30 min. Physical Attack	.390"	2.44
LP 500	.38 SPECIAL / FORCED ENTRY / 60 min. Physical Attack	.500"	3.34
LP 750 BR	FORCED ENTRY	.757"	4.88
LP 1000	9mm / FORCED ENTRY	.758"	4.84
LP 1250	9 mm / .357 mag / FORCED ENTRY	1.000"	6.54
LPA 1250 BR	9 mm RIFLE (5 SHOTS)	1.250"	8.02

Ballistic Glass Clad Laminates

PRODUCT NAME	THREAT DESCRIPTION	THICKNESS		LBS/SQ. FT.	
		LOW SPALL	NO SPALL	LOW SPALL	NO SPALL
PAS 002	.357 JSP, 9mm FMJ, .44 SWC (3 SHOTS)	1.056"	.818"	11.64	8.99
PAS 003	.44 FMJ, 7.62 x 25 LCSJ (TOKAREV) (3 SHOTS)	1.181"	.943"	13.55	10.90
PAS 004	7.62 M80 BALL, 30.06 PSP, 308 FMJ (1 SHOT) 7.62 x 39 SC (123) (AK-47) (2 SHOTS)	1.313"	1.075"	14.33	11.68
PAS 005	5.56 x 45 (223) M193 (3 SHOTS) 7.62 x 39 SC (123) (3 SHOTS)	1.588"	1.350"	17.43	14.78
PAS 005MH	7.62 M80 BALL, 30.06 PSP, 308 FMJ (3 SHOTS) 7.62 x 39 SC (123) - SKS (3 SHOTS) 5.56 x 45 M855 (AP) (1 SHOT) 5.56 x 45 (223) PSP (5 SHOTS)	1.713"	1.475"	19.34	16.69
PAS 008AP	30.06 AP, 308 NATO, 5.56 M193 (1 SHOT)	2.513"	2.275"	29.36	26.71

This extremely durable and light-weight transparent armor is available either in flat sheets, or curved and cut to fit your specific application. Combining the hard surface of glass with the resilient toughness of polycarbonate, Glass Clad systems are specifically designed to defeat threats from high-powered fire arms with low-spall or no-spall performance. These glass laminates meet NIJ and UL standards for bullet-resistant applications. We also manufacture laminates to meet any other standard you may require.

Available in gray, green or bronze tints:

We can provide you with the following surfaces:

- Tempered
- Heat Strength
- Annealed
- Chemically Tempered

We can provide a variety of laminates to stop your specific threat level.

Security Glass Clad Laminates

PRODUCT NAME	THREAT DESCRIPTION	THICKNESS	LBS/SQ. FT.
GCP 375	FORCED ENTRY	.375"	4.00
GCP 450	.38 SPECIAL / FORCED ENTRY	.450"	4.40
GCP 530	.38 SPECIAL / FORCED ENTRY	.530"	4.79
GCP 600	.38 SPECIAL / FORCED ENTRY	.600"	5.18
GCP 625	9 mm / FORCED ENTRY	.625"	5.28
GCP 725	9 mm / FORCED ENTRY	.725"	5.96
GCP 750	9 mm / .357 Mag / FORCED ENTRY / 30 MIN. PHYSICAL ATTACK	.750"	6.06
GCP 875	9 mm / .357 Mag / FORCED ENTRY / 60 MIN. PHYSICAL ATTACK	.875"	7.14
GCP 960	.357 Mag / FORCED ENTRY / 60 MIN. PHYSICAL ATTACK	.960"	7.30
GCP 1000	.357 Mag / FORCED ENTRY / 60 MIN. PHYSICAL ATTACK	1.000"	9.33
GCP 1250	.44 Mag / FORCED ENTRY / 60 MIN. PHYSICAL ATTACK	1.250"	10.5

Security Glass Clad Laminates provide long-lasting protection against moderate ballistic and forced entry threats. The durability and versatility of these laminates make them a perfect choice for correctional facilities, courthouses, government building and corporate security applications. By altering thickness and composition (adding layers of glass or polycarbonate) Security Glass Clad Laminates can be customized to specific threat level requirements.

Available:

- Clear • Gray • Green • Bronze
- (wire glass units are also available)

We can provide you with the following surfaces:

- Tempered • Heat Strengthened
- Annealed • Chemically Tempered